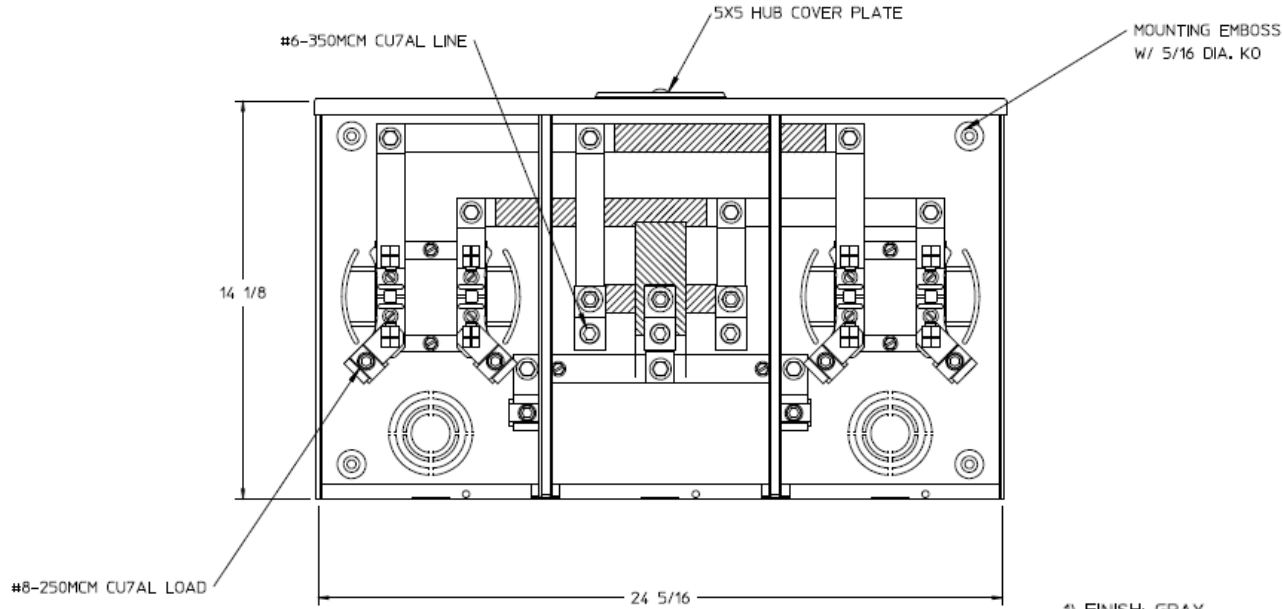
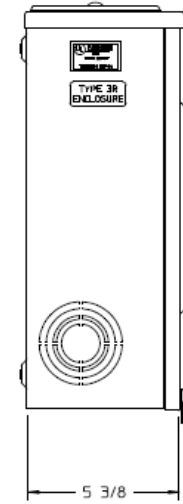


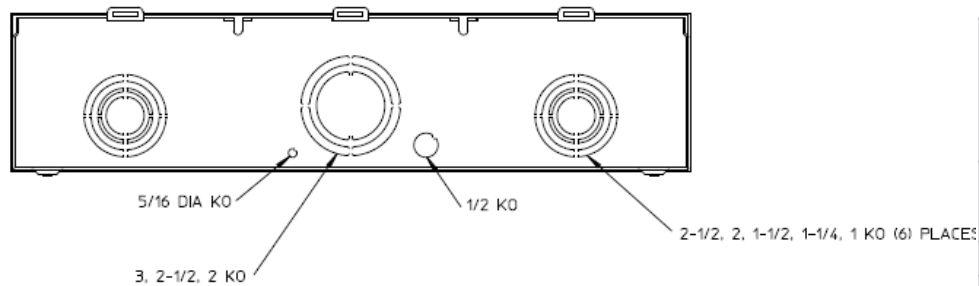
Front View



Side View



Bottom View



- 1) FINISH: GRAY
- 2) CABINET: 16 GA GALV STEEL
- 3) 200 AMP CONTINUOUS PER POSITION
600 VAC, 1 PHASE, 3-WIRE
250 AMP CONTINUOUS (TOTAL) UNIT RATING
- 4) TEMPORARY CARDBOARD METER OPENING
COVER PROVIDED.
- 5) MIDWEST LABEL ATTACHED TO THE END
OF THE CARTON.
- 6) MIDWEST LOGO LOCATED IN LOWER LEFT
HAND CORNER OF THE FRONT.



HORIZ GANGED METER SOCKETS-(2) 200A 600V N3R
1P3W HUB COVER PLATE 4-TERM CENTER FED G90

CAT NO	DWG DATE	REV #
U2R2332UMEP	02/09/2016	01