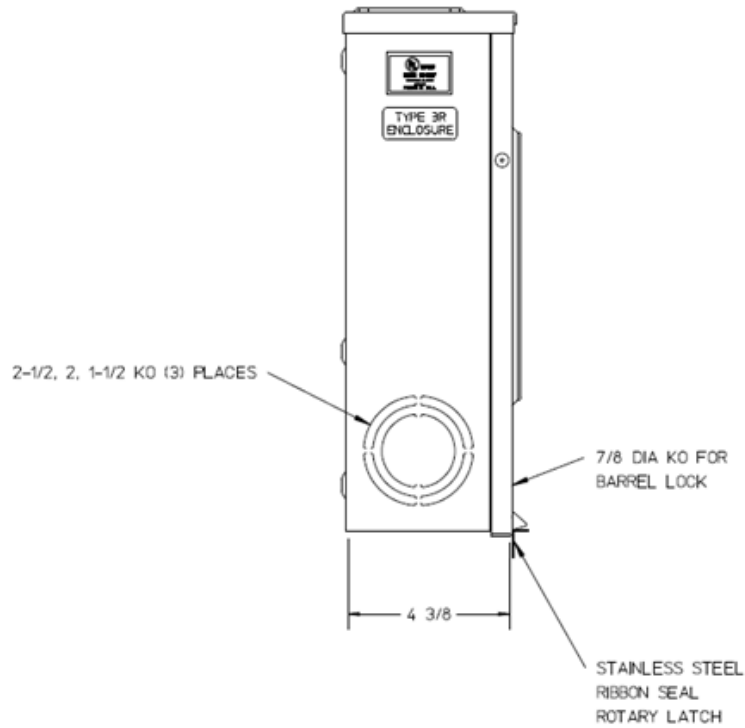
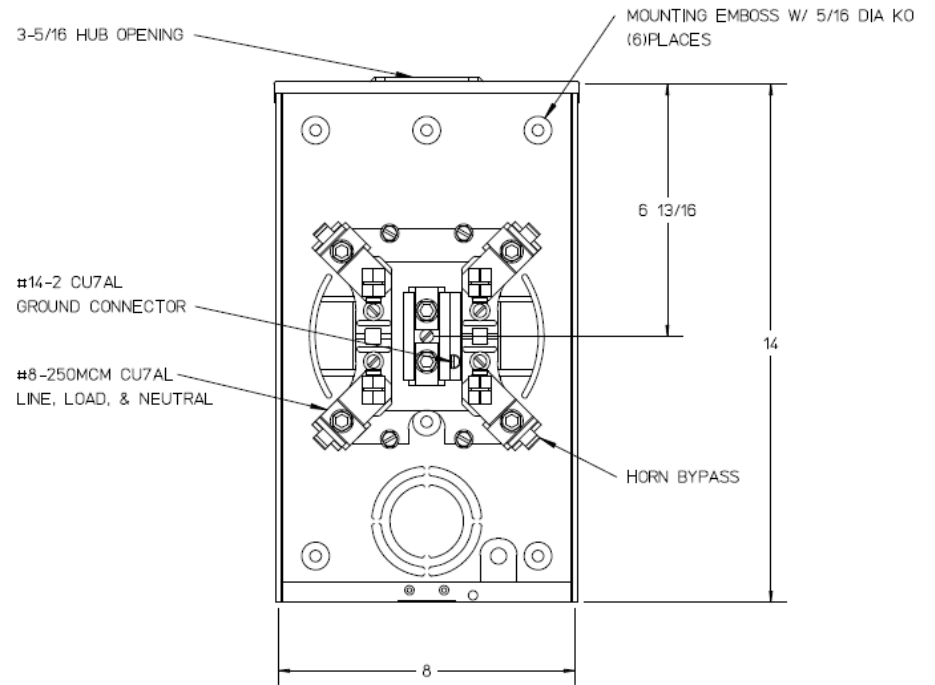


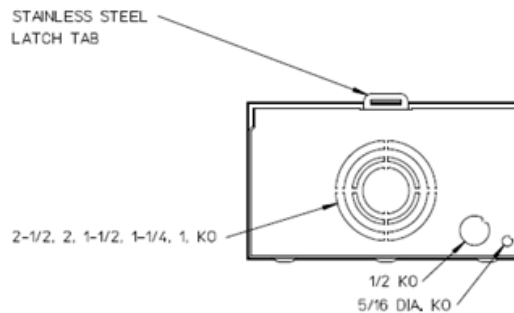
Front View



Side View




Bottom View



Notes

- 1) FINISH: NATURAL
- 2) CABINET: 0.63 ALUMINUM
- 3) 200 AMP CONTINUOUS, 600 VAC, 1 PHASE, 3 WIRE
- 4) FOR BROOKS OR INNER-TITE STANDARD LENGTH BARREL LOCK IN CONJUNCTION WITH BROOKS LOCK GUARDS # 865 OR # 86505 WITH PERMANENTLY WELDED BRACKET
- 5) MIDWEST LABEL ATTACHED TO THE END OF THE CARTON
- 6) TEMPORARY CARDBOARD METER OPENING COVER PROVIDED
- 7) MIDWEST SAFETY LABEL PLACED IN LOWER LEFT-HAND CORNER OF FRONT

		
METER SOCKET-(1) 200A 600V 1P3W ALUM N3R 4-TERM SML HUB OPN HORN BYP AEP BARREL LK TOP/BOT FED		
CAT NO	DWG DATE	REV #
UAFHTRS202BSHMEP	08/22/2016	01