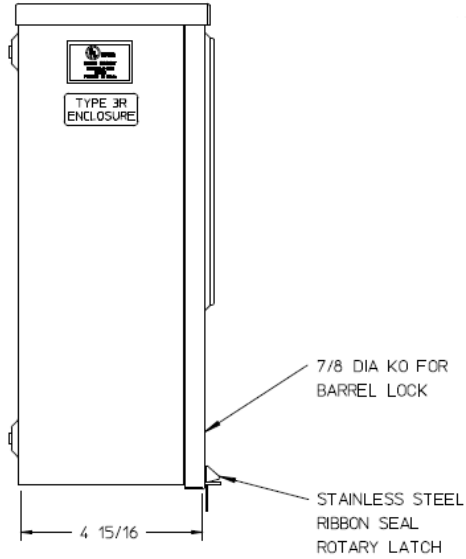


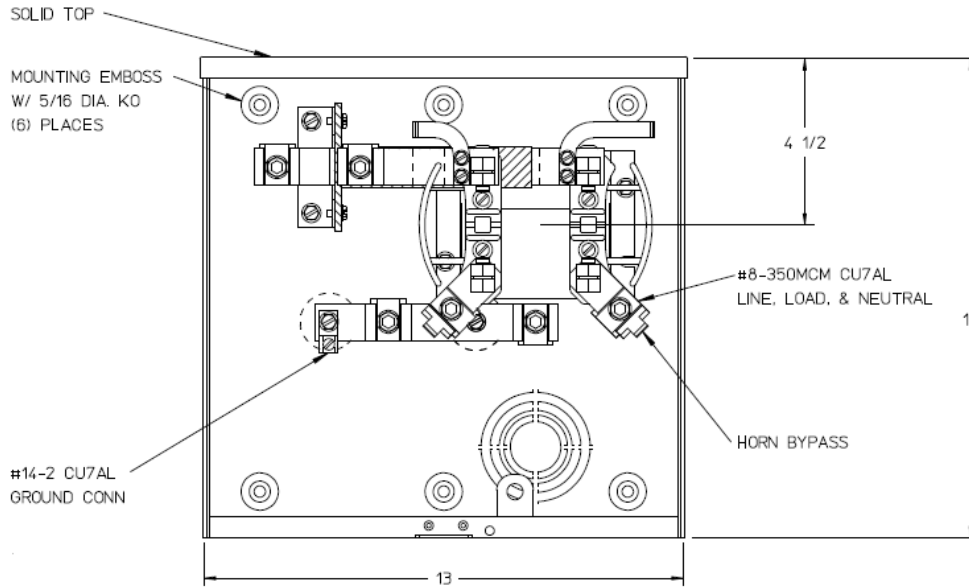
### Left Side View



7/8 DIA KO FOR BARREL LOCK

STAINLESS STEEL RIBBON SEAL ROTARY LATCH

### Front View



STAINLESS STEEL LATCH TAB

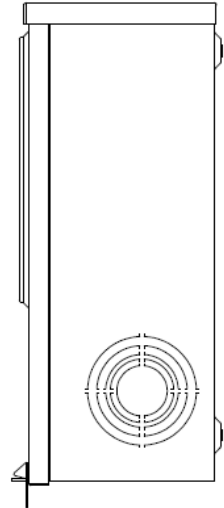
2-1/2, 2, 1-1/2, 1-1/4, 1 KO (3) PLACES

3, 2-1/2, 2 KO

5/16 DIA KO

1/2 KO

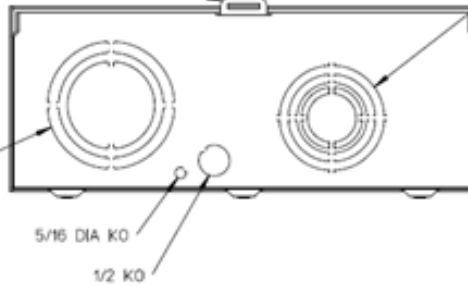
### Right Side View




### Notes

- 1) FINISH: NATURAL
- 2) CABINET: 0.63 ALUMINUM
- 3) 200 AMP CONTINUOUS, 600 VAC, 1 PHASE, 3 WIRE
- 4) FOR BROOKS OR INNER-TITE STANDARD LENGTH BARREL LOCK IN CONJUNCTION WITH BROOKS LOCK GUARDS # 865 OR # 86505 WITH PERMANENTLY WELDED BRACKET
- 5) MIDWEST LABEL ATTACHED TO THE END OF THE CARTON
- 6) TEMPORARY CARDBOARD METER OPENING COVER PROVIDED
- 7) MIDWEST SAFETY LABEL PLACED IN THE LOWER LEFT-HAND CORNER OF FRONT

### Bottom View



		
METER SOCKET-(1) 200A 600V 1P3W ALUM N3R 4-TERM SOLID TOP HORN BYP AEP BARREL LK BOTTOM FED		
<b>CAT NO</b>	<b>DWG DATE</b>	<b>REV #</b>
UAFHTRS223ASHMEP	08/22/2016	01