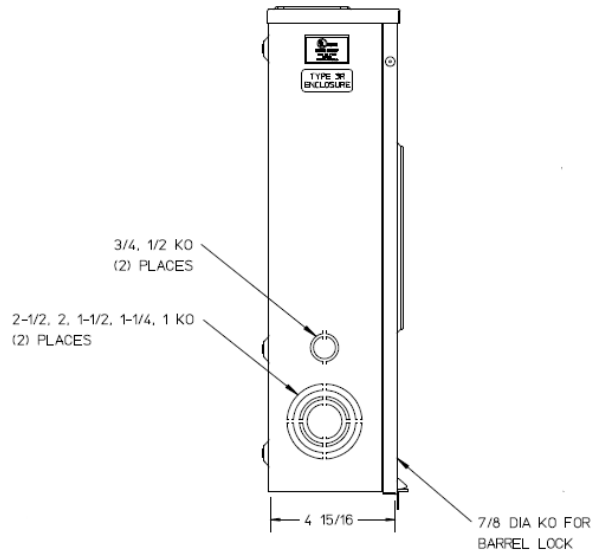
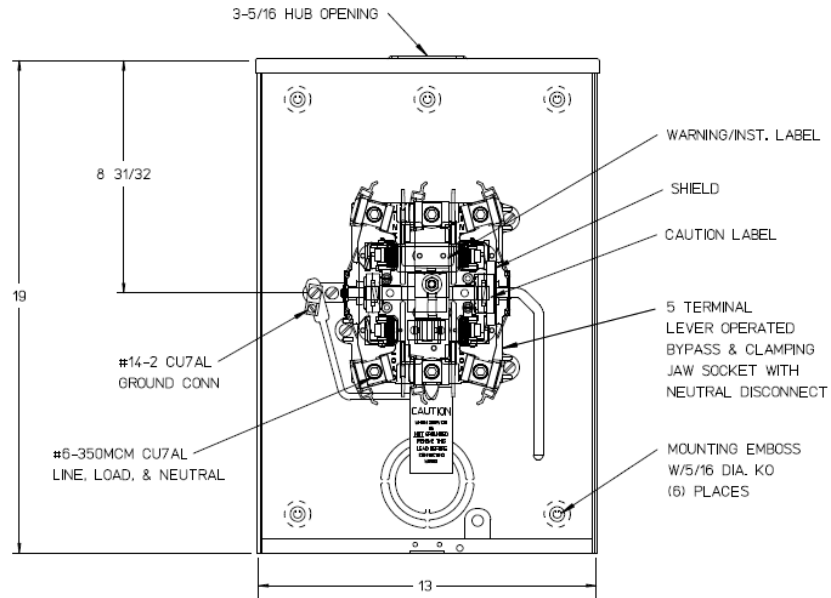


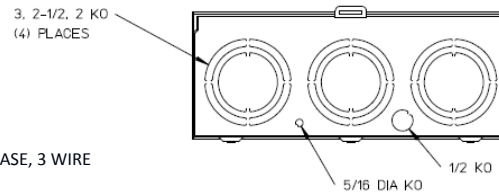
### Left Side View



### Front View Interior



### Bottom View



### Notes

- 1) FINISH: NATURAL
- 2) CABINET: .080 ALUMINUM
- 3) 200 AMP CONTINUOUS, 600 VAC, 3-PHASE, 3WIRE, 1 PHASE, 3 WIRE NETWORK 3-WIRE, 200 AMP BYPASS
- 4) FOR AN EXPOSED INNER-TITE OR BROOKS STANDARD LENGTH BARREL LOCK IN CONJUNCTION WITH BROOKS LOCK GUARD # 865 OR # 86505 WITH A PERMANENTLY WELDED BRACKET
- 5) GE LABEL ATTACHED TO THE END OF THE CARTON
- 6) TEMPORARY CARDBOARD METER OPENING COVER PROVIDED
- 7) GE LOGO STAMPED ON LOWER LEFT HAND CORNER OF THE FRONT



MTR SOCKET-(1) 200A 600V 1P3W OR 3P3W ALUM N3R 5-TERM LVR BYP AEP BARREL LK SML HUB OPN TPX GRD TOP/BOT FED

CAT NO	DWG DATE	REV #
UAFTH5213BNDGE	04/25/2016	02