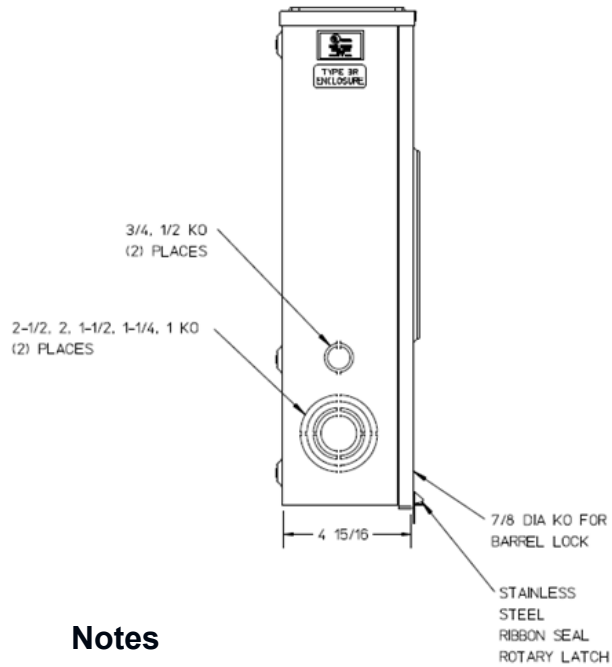
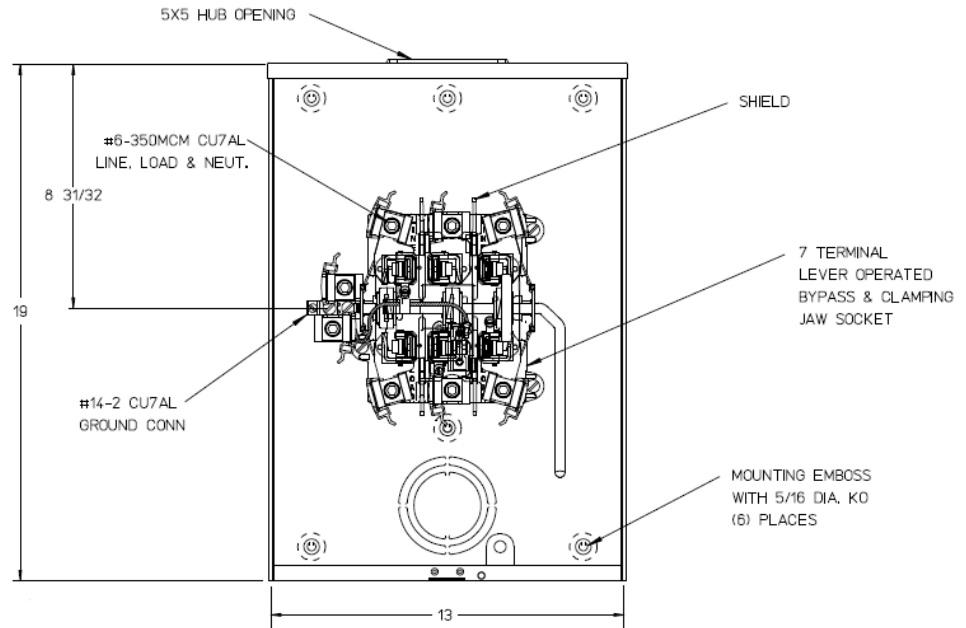


### Left Side View



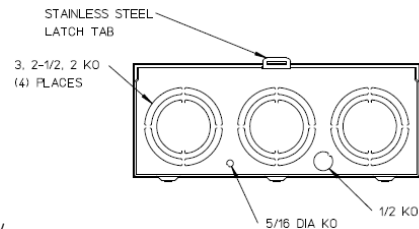
### Front View Interior




### Notes

- 1) FINISH: GRAY
- 2) CABINET: .080 ALUMINUM
- 3) 200 AMP CONTINUOUS, 600 VAC, 3 PHASE, 4 WIRE, 200 AMP BYPASS FOR AN EXPOSED INNER-TITE OR BROOKS STANDARD LENGTH BARREL LOCK IN CONJUNCTION WITH BROOKS LOCK GUARD # 865 OR # 86505 WITH A PERMANENTLY WELDED BRACKET
- 5) GE LABEL ATTACHED TO THE END OF THE CARTON
- 6) TEMPORARY CARDBOARD METER OPENING COVER PROVIDED
- 7) GE LOGO STAMPED ON LOWER LEFT HAND CORNER OF THE FRONT

### Bottom View



GE is a registered trademark used under license from General Electric company.

		
METER SKT-(1) 200A 600V 3P4W ALUM N3R 3PH 7-TERM LEVER BYP AEP BARREL LK LARGE HUB OPENING TOP/BOT FEED		
<b>CAT NO</b>	<b>DWG DATE</b>	<b>REV #</b>
UAFTH7213TSHGE	04/25/2016	02