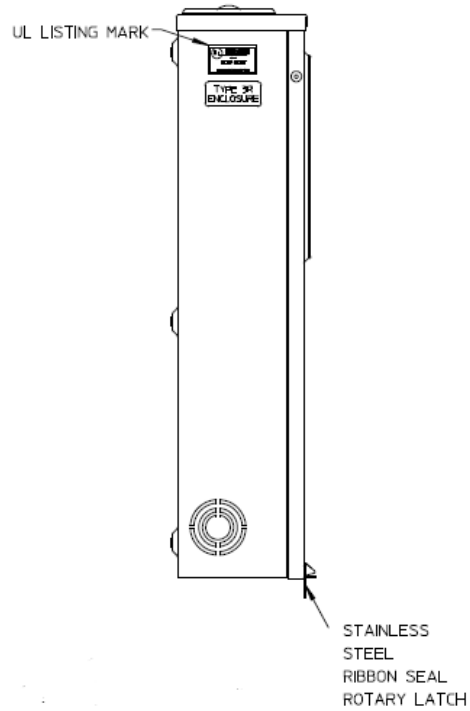
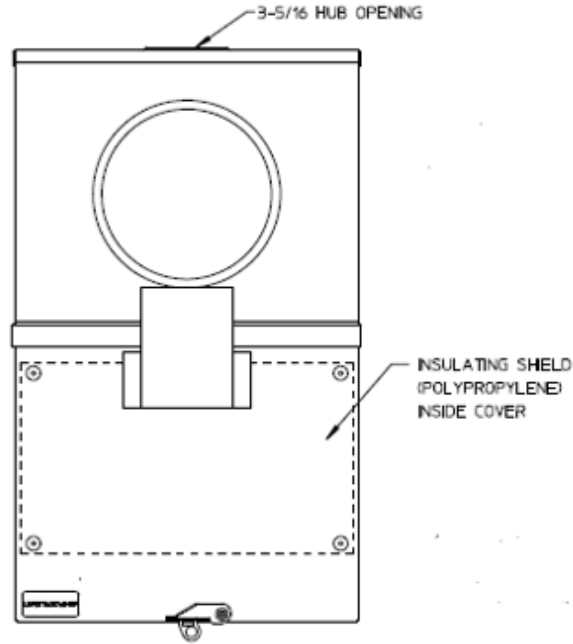


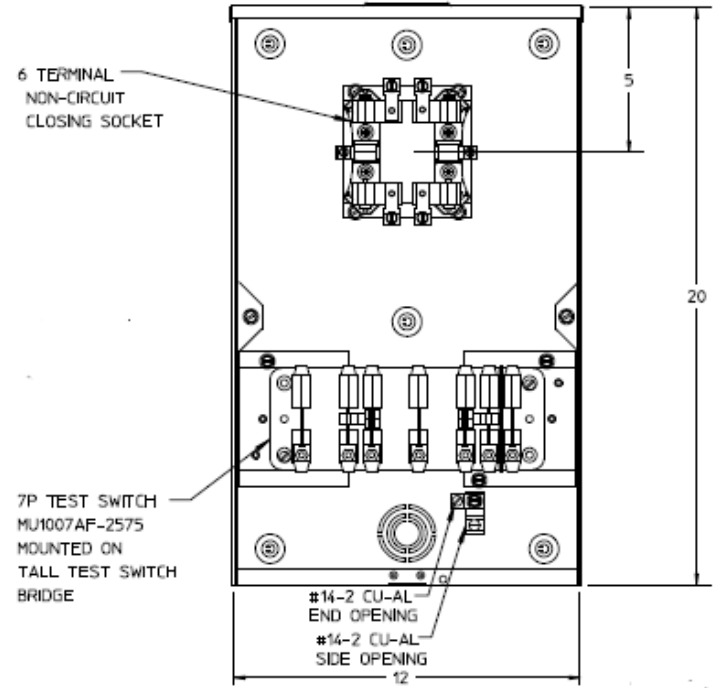
### Left Side View



### Front View Exterior



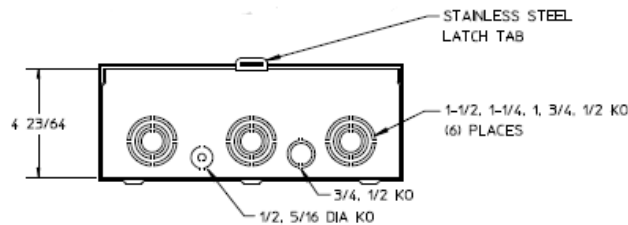
### Front View Interior



### Notes

- 1) UNIT RATING: 20 AMP CONTINUOUS. 600 VAC 1PH 3 WIRE
- 2) FINISH: NATURAL
- 3) CABINET CONSTRUCTED FROM 5052-H32 ALUMINUM ALLOY
- 4) UNIT IS PREWIRED FORM 4S PER CUSTOMER SPECS
- 5) UNIT IS SUPPLIED WITH TEMPORARY CARDBOARD METER OPENING COVER
- 6) GE LABEL ATTACHED TO END OF THE CARTON
- 7) GE LOGO STAMPED ON LOWER LEFT HAND CORNER OF FRONT
- 8) SAFETY LABEL IS LOCATED ON THE LOWER RIGHT-HAND CORNER OF THE FRONT
- 9) 1" HUB KIT PACKED INSIDE
- 10) FOR TECO USE ONLY
- 11) STAINLESS STEEL SCREW TYPE SEALING RING MOUNTED ON TOP FRONT

### Bottom View



TRANSFORMER RATED MTR – 20A 6T 1P3W N3R ALUM  
SMALL HUB OPENING TOP/BOT FEED TECO APPROVED

CAT NO	DWG DATE	REV #
UARSTH62B760GE	02/09/2017	01