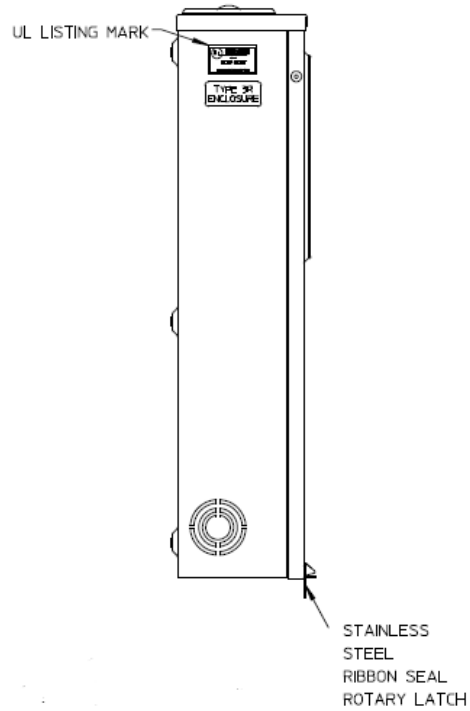
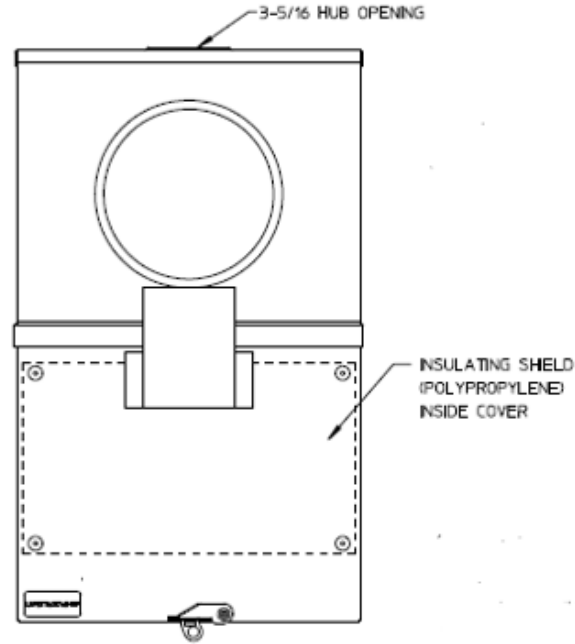


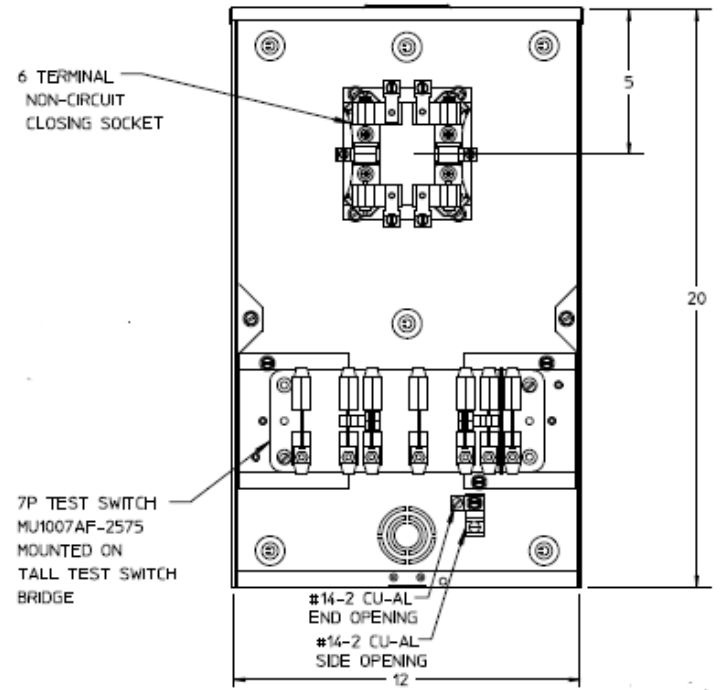
Left Side View



Front View Exterior



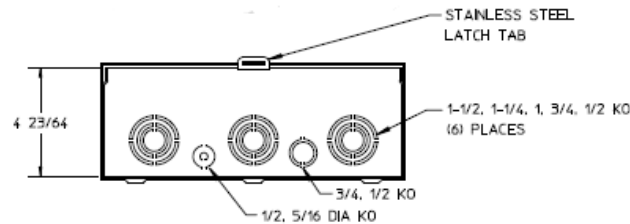
Front View Interior



Notes

- 1) UNIT RATING: 20 AMP CONTINUOUS. 600 VAC 1PH 3 WIRE
- 2) FINISH: NATURAL
- 3) CABINET CONSTRUCTED FROM 5052-H32 ALUMINUM ALLOY
- 4) UNIT IS PREWIRED FORM 4S PER CUSTOMER SPECS
- 5) UNIT IS SUPPLIED WITH TEMPORARY CARDBOARD METER OPENING COVER
- 6) MIDWEST LABEL ATTACHED TO END OF THE CARTON
- 7) MIDWEST LOGO STAMPED ON LOWER LEFT HAND CORNER OF FRONT
- 8) SAFETY LABEL IS LOCATED ON THE LOWER RIGHT-HAND CORNER OF THE FRONT
- 9) 1" HUB KIT PACKED INSIDE
- 10) FOR TECO USE ONLY
- 11) STAINLESS STEEL SCREW TYPE SEALING RING MOUNTED ON TOP FRONT

Bottom View



TRANSFORMER RATED MTR - 20A 6T 1P3W N3R ALUM
SMALL HUB OPENING TOP/BOT FEED TECO APPROVED

CAT NO	DWG DATE	REV #
UARSTH62B760MEP	02/23/2017	01