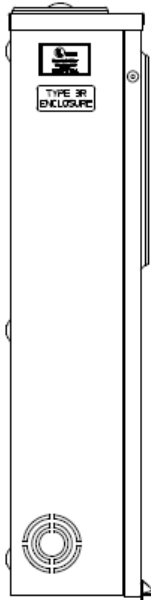
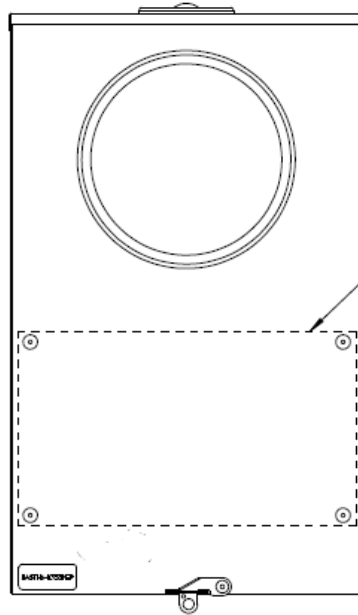


### Left Side View



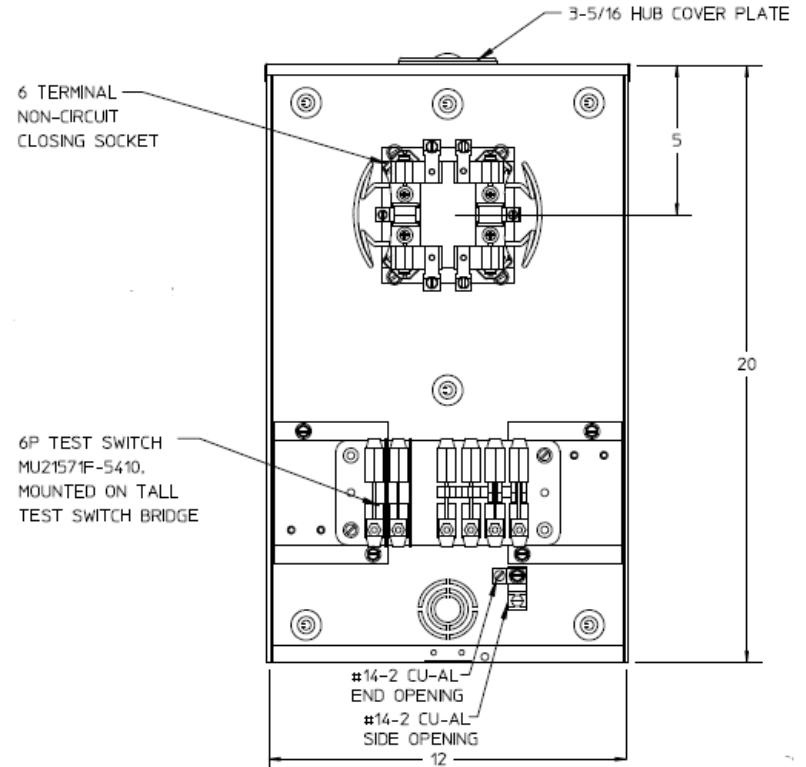
STAINLESS STEEL RIBBON SEAL ROTARY LATCH

### Front View Exterior



INSULATING SHIELD (POLYPROPYLENE) INSIDE COVER

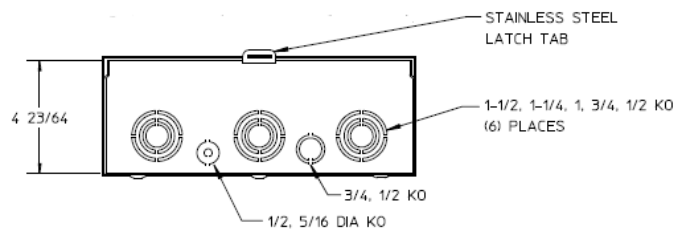
### Front View Interior




### Notes

- 1) FINISH: GREY
- 2) UNIT IS FABRICATED FROM 5052-H32 ALUMINUM ALLOY
- 3) UNIT RATING: 20 AMP CONTINUOUS 600VAC 1 PHASE 3 WIRE
- 4) UNIT IS NOT FACTORY WIRED
- 5) UNIT IS SUPPLIED WITH TEMPORARY CARDBOARD METER OPENING COVER
- 6) MIDWEST LABEL ATTACHED TO END OF THE CARTON
- 7) MIDWEST LOGO STAMPED ON LOWER LEFT HAND CORNER OF FRONT
- 8) SAFETY LABEL IS LOCATED ON THE LOWER RIGHT-HAND CORNER OF THE FRONT
- 9) FOR FP&L USE ONLY

### Bottom View





TRANSFORMER RATED MTR – 20A 6T 1P3W N3R ALUM  
SMALL HUB CVR PLT TOP/BOT FEED FP&L APPROVED

CAT NO	DWG DATE	REV #
UASTH61C755MEP	02/23/2017	01