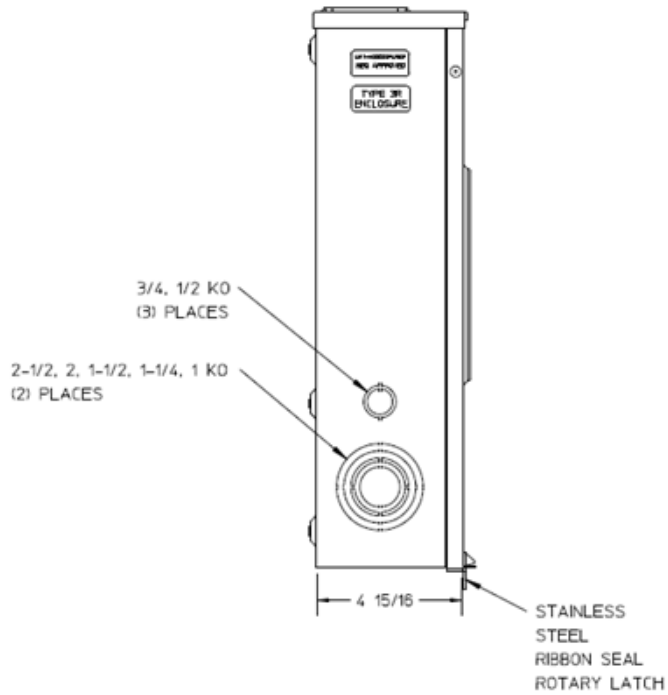
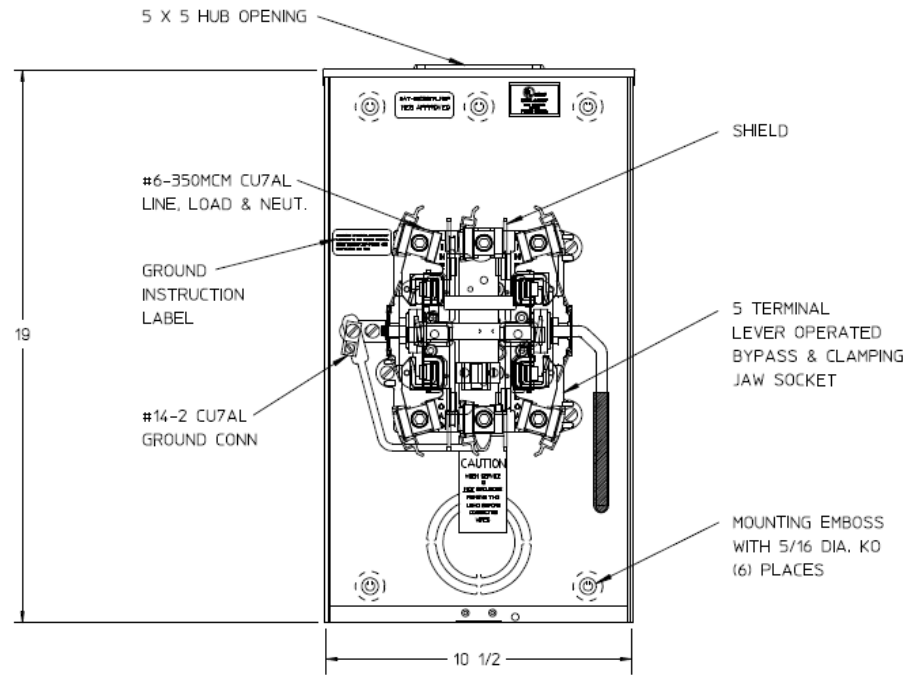


Left Side View



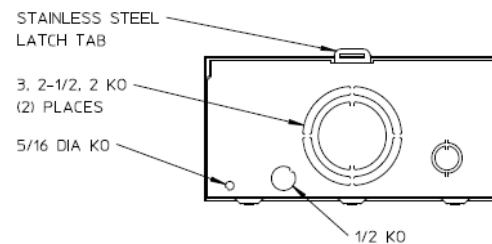
Front View Interior



Notes

- 1) FINISH: NATURAL
- 2) CABINET: .080 ALUMINUM
- 3) 200AMP CONTINUOUS
600 VAC, 3 PHASE, 3-WIRE
1 PHASE, 3-WIRE
NETWORK 3-WIRE
200AMP BYPASS
- 4) TEMPORARY CARDBOARD METER OPENING COVER PROVIDED.
- 5) MIDWEST LABEL ATTACHED TO END OF CARTON.
- 6) MIDWEST LOGO STAMPED ON LOWER LEFT HAND CORNER OF FRONT.

Bottom View



METER SKT-(1) 200A 600V 1P3W ALUM N3R 5-TERM LARGE HUB OPNG TOP/BOT FEED LEVER BYP TPLX GRD MEG APPROVED

CAT NO	DWG DATE	REV #
UATH5203TFLMEP	06/13/2016	01