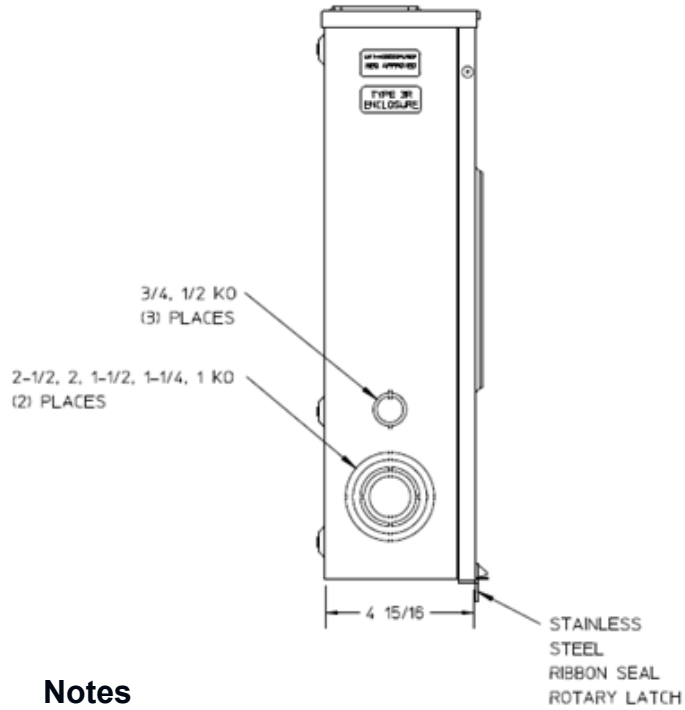
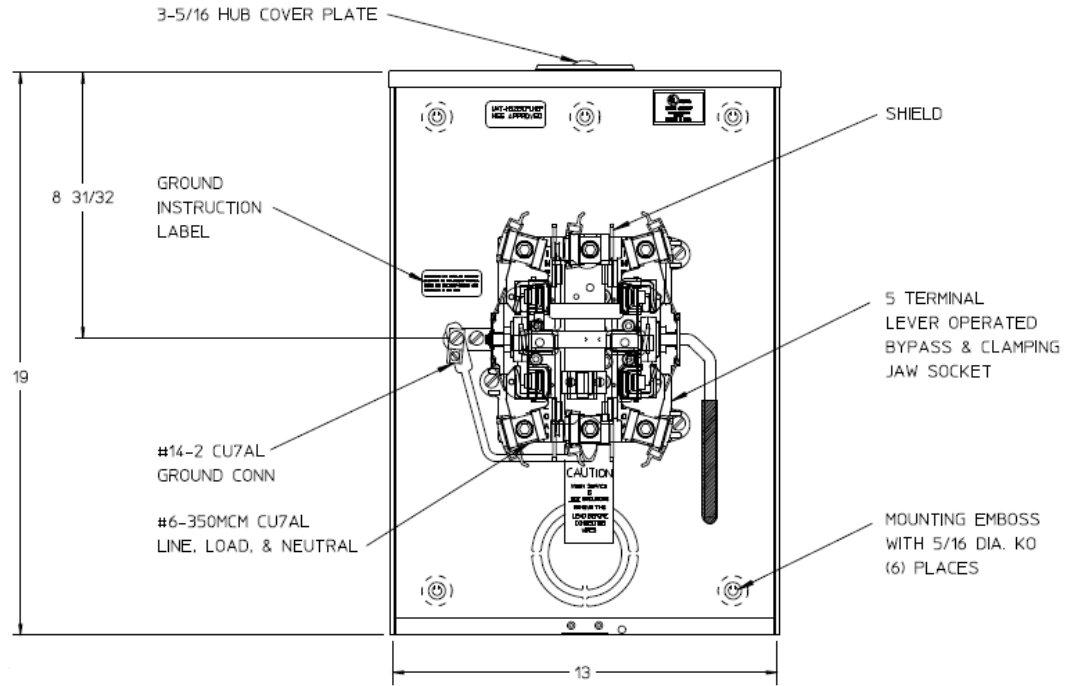


Left Side View



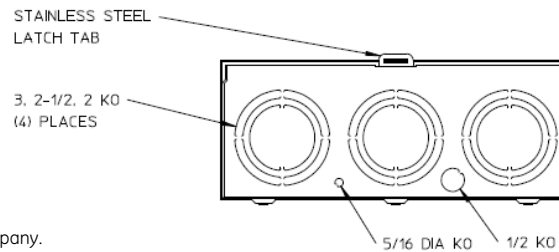
Front View Interior



Notes

- 1) FINISH: NATURAL
- 2) CABINET: .080 ALUMINUM
- 3) 200 AMP CONTINUOUS, 600 VAC, 3 PHASE 3 WIRE, 1 PHASE 3-WIRE, NETWORK 3-WIRE, 200A BYPASS
- 4) GE LABEL ATTACHED TO THE END OF THE CARTON
- 5) TEMPORARY CARDBOARD METER OPENING COVER PROVIDED
- 6) GE LOGO STAMPED ON LOWER LEFT HAND CORNER OF THE FRONT

Bottom View



METER SKT-(1) 200A 600V 1P3W or 3P3W ALUM N3R 5-TERM SMALL HUB CVR PLT TOP/BOT FEED LEVER BYP TPLX GRD MEG

CAT NO

DWG DATE

REV #

UATH5213CFLGE

06/13/2016

01