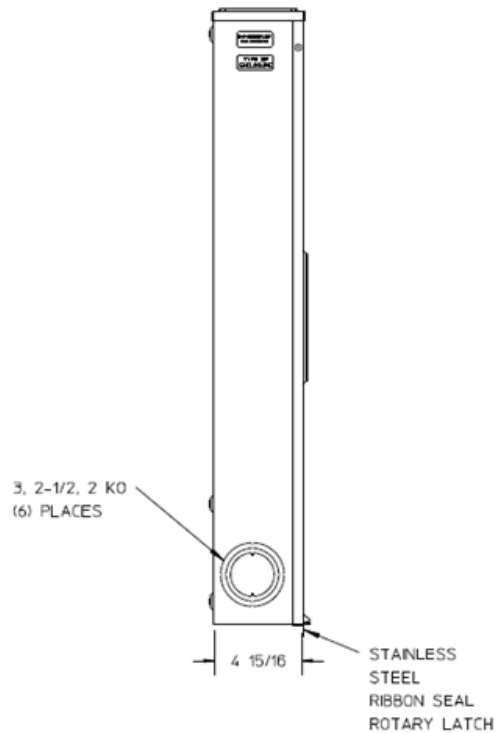
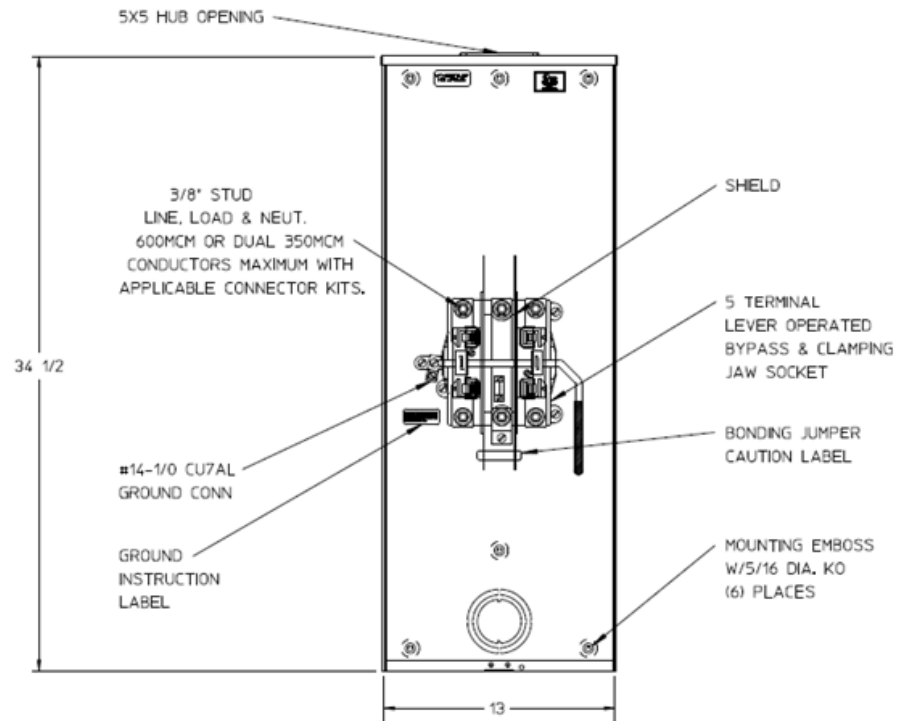


Left Side View



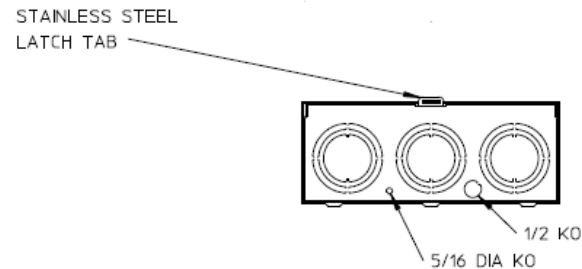
Front View Interior



Notes

- 1) FINISH: NATURAL
- 2) CABINET: .080 ALUMINUM
- 3) 320 AMP CONTINUOUS
600 VAC, 3 PHASE, 3-WIRE
1 PHASE, 3-WIRE
NETWORK 3-WIRE
320 AMP BYPASS
- 4) MIDWEST LABEL ATTACHED TO THE END OF CARTON
- 5) TEMPORARY CARDBOARD METER OPENING COVER PROVIDED.
- 6) MIDWEST LOGO STAMPED IN THE LOWER LEFT-HAND CORNER OF FRONT.

Bottom View



METER SKT-(1) 320A 600V 1P3W ALUM N3R 5-TERMINAL LARGE HUB OPNG TOP/BOT FEED LEVER BYP TPLX GRD MEG APPROVED

CAT NO	DWG DATE	REV #
UATH5300TFLMEP	06/13/2016	01