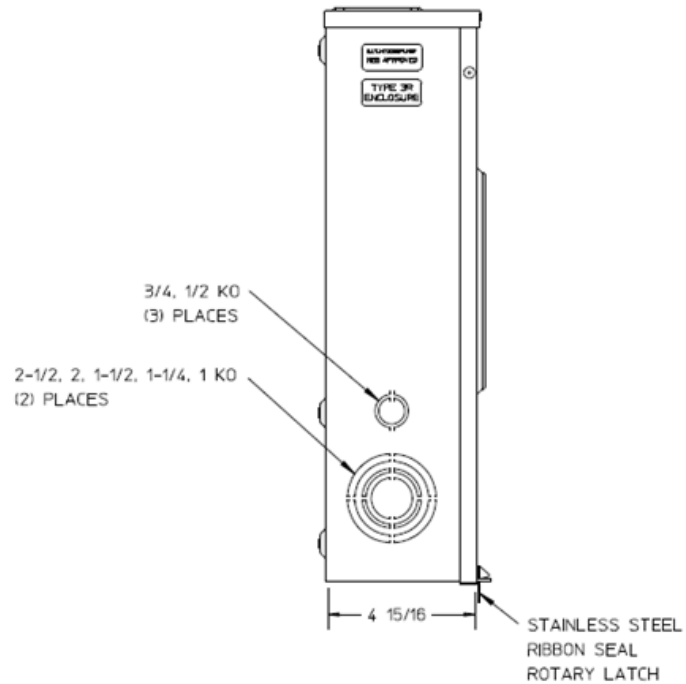
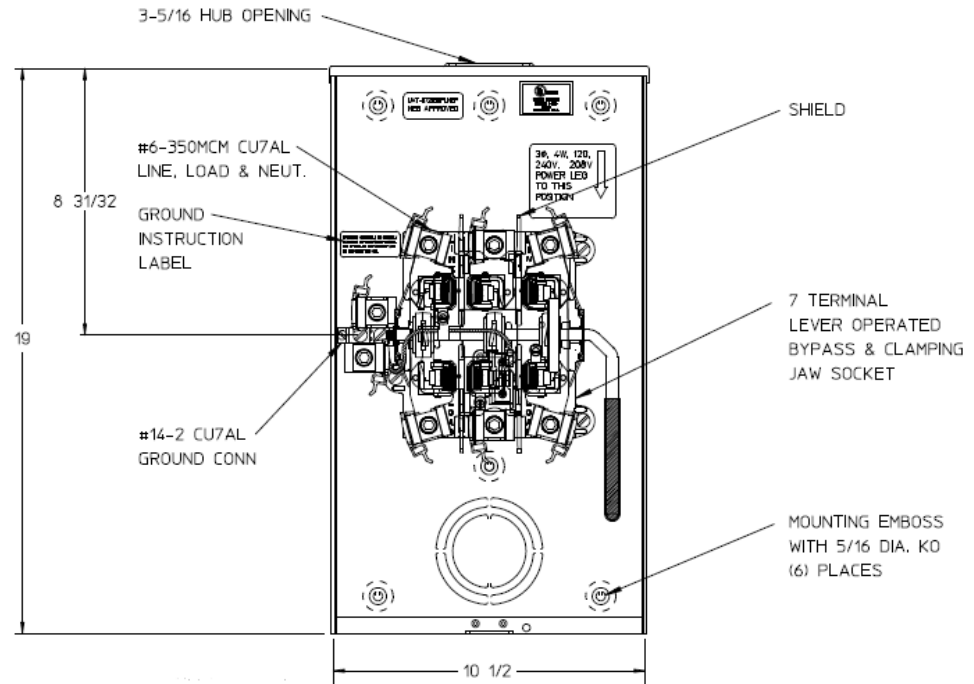


### Left Side View



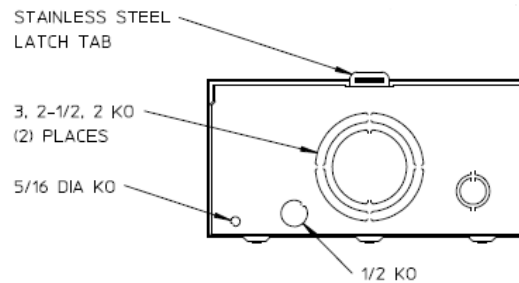
### Front View Interior



### Notes

- 1) FINISH: NATURAL
- 2) CABINET: .080 ALUMINUM
- 3) 200 AMP CONTINUOUS, 600 VAC, 3 PHASE 4 WIRE, 200A BYPASS
- 4) GE LABEL ATTACHED TO THE END OF THE CARTON
- 5) TEMPORARY CARDBOARD METER OPENING COVER PROVIDED
- 6) GE LOGO STAMPED ON LOWER LEFT HAND CORNER OF THE FRONT

### Bottom View



METER SKT-(1) 200A 600V 3P4W ALUM N3R 7-TERM SMALL HUB OPENING TOP/BOT FEED LEVER BY TPLX GRD MEG APPROVED

CAT NO	DWG DATE	REV #
UATH7203BFLGE	06/13/2016	01