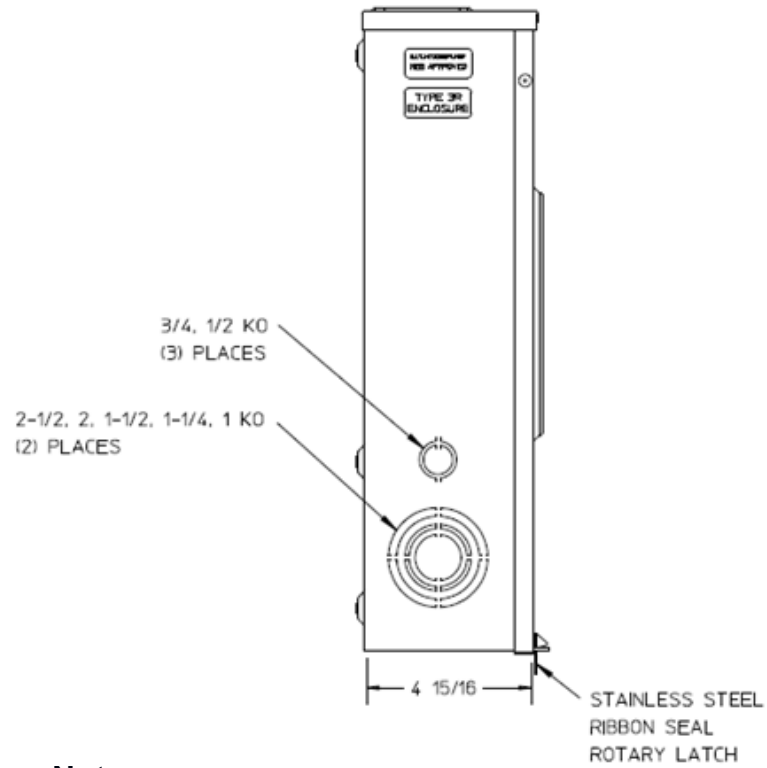
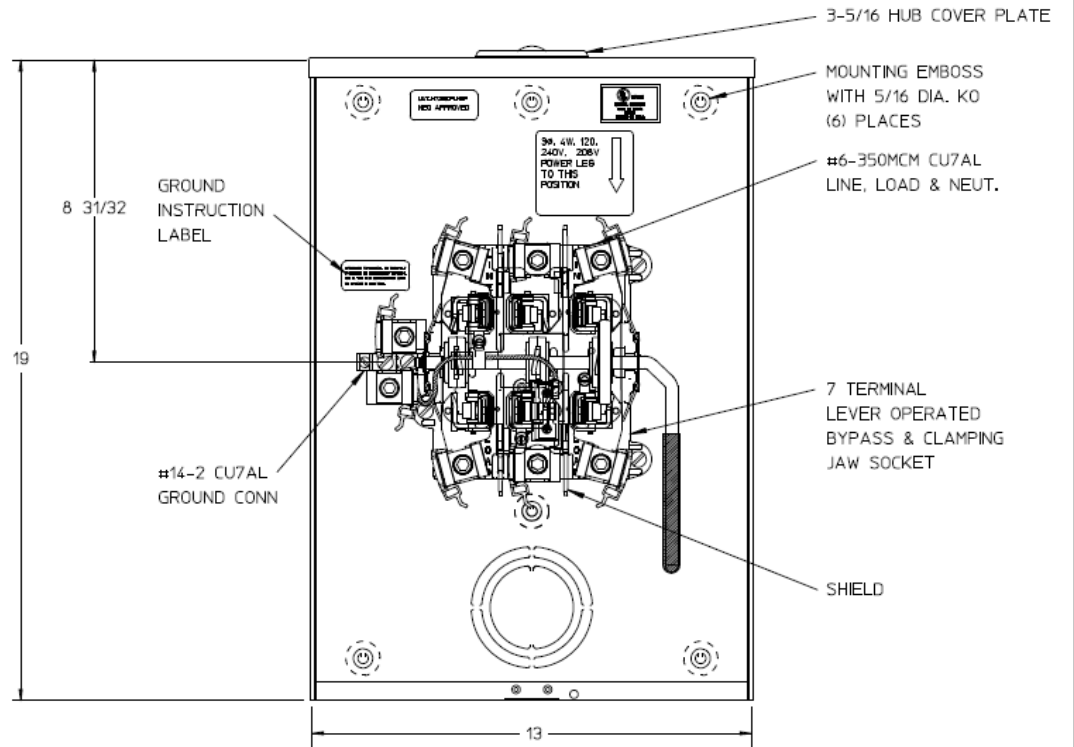


### Left Side View



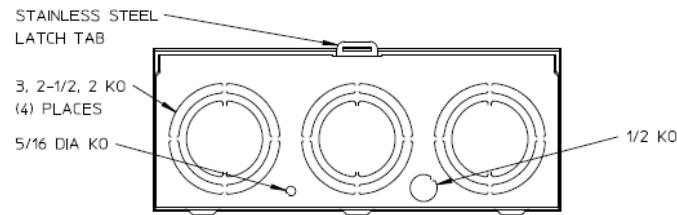
### Front View Interior



### Notes

- 1) FINISH: NATURAL
- 2) CABINET: .080 ALUMINUM
- 3) 200 AMP CONTINUOUS  
600 VAC, 3 PHASE, 4-WIRE  
200 AMP BYPASS
- 4) TEMPORARY CARDBOARD METER OPENING COVER SUPPLIED
- 5) MIDWEST LABEL ATTACHED TO THE END OF THE CARTON
- 6) MIDWEST LOGO LOCATED IN THE LOWER LEFT-HAND CORNER OF THE FRONT

### Bottom View



METER SKT-(1) 200A 600V 3P4W ALUM N3R 7-TERM SMALL HUB COVER PLT TOP/BOT FEED LEVER BYP TPLX GRD MEG APPROVED

CAT NO	DWG DATE	REV #
UATH7213CFLMEP	06/13/2016	01