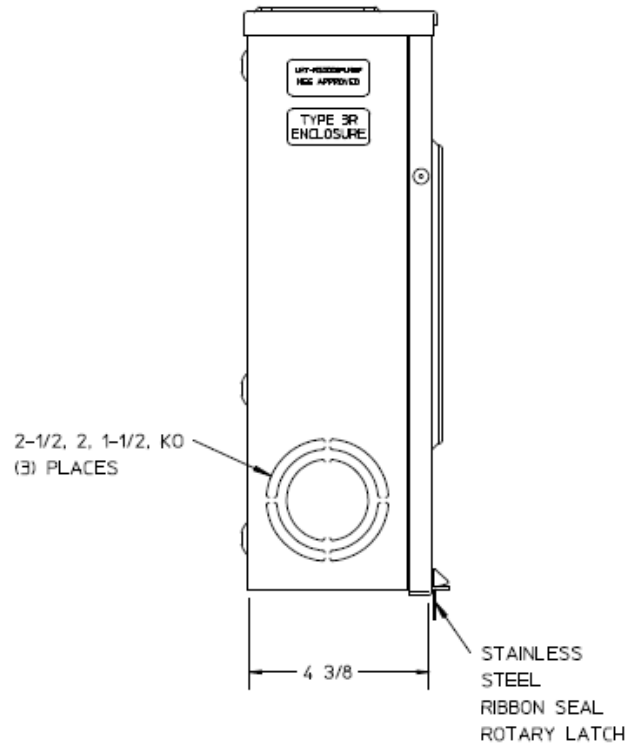
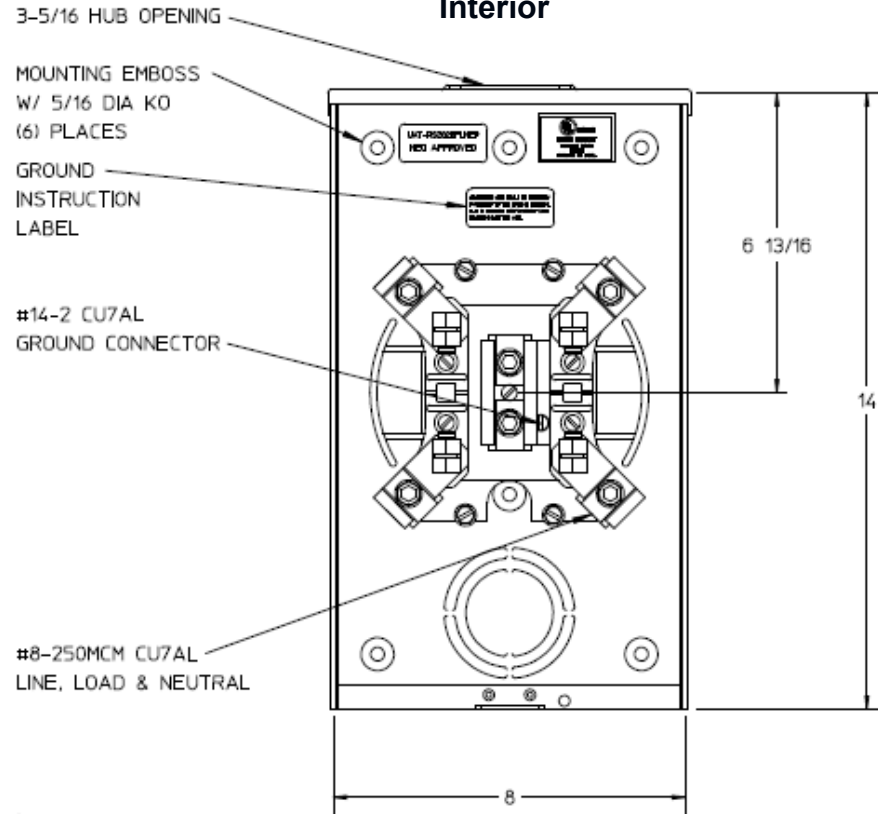


Left Side View



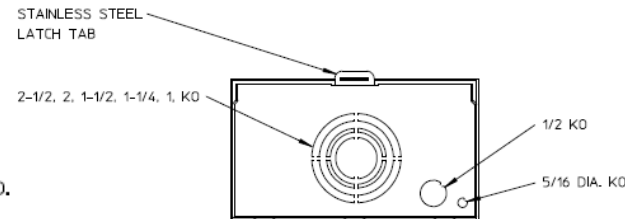
Front View Interior



Notes

- 1) FINISH: NATURAL
- 2) CABINET: .063 ALUMINUM
- 3) 200 AMP CONTINUOUS 600 VAC, 1 PHASE, 3 WIRE
- 4) MIDWEST LABEL ATTACHED TO THE END OF THE CARTON.
- 5) TEMPORARY CARDBOARD METER OPENING COVER PROVIDED.
- 6) MIDWEST LOGO LOCATED IN THE LOWER LEFT-HAND CORNER OF THE FRONT.

Bottom View



METER SKT-(1) 200A 600V 1P3W ALUM N3R 4-TERM SMALL HUB OPNG TOP/BOT FEED TPLX GRD MEG APPROVED

CAT NO	DWG DATE	REV #
UATRS202BFLMEP	06/13/2016	01