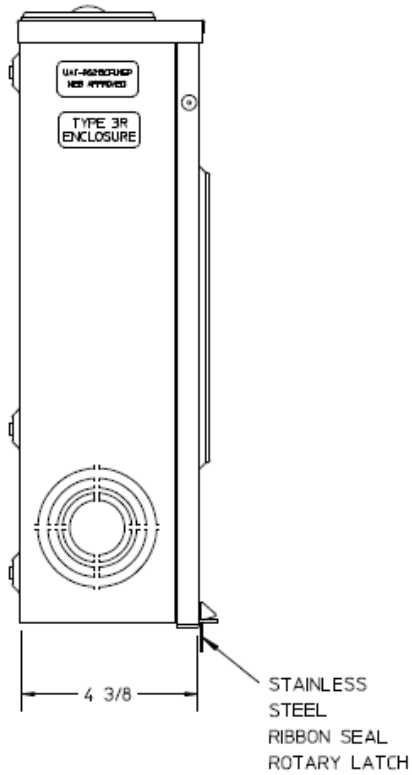
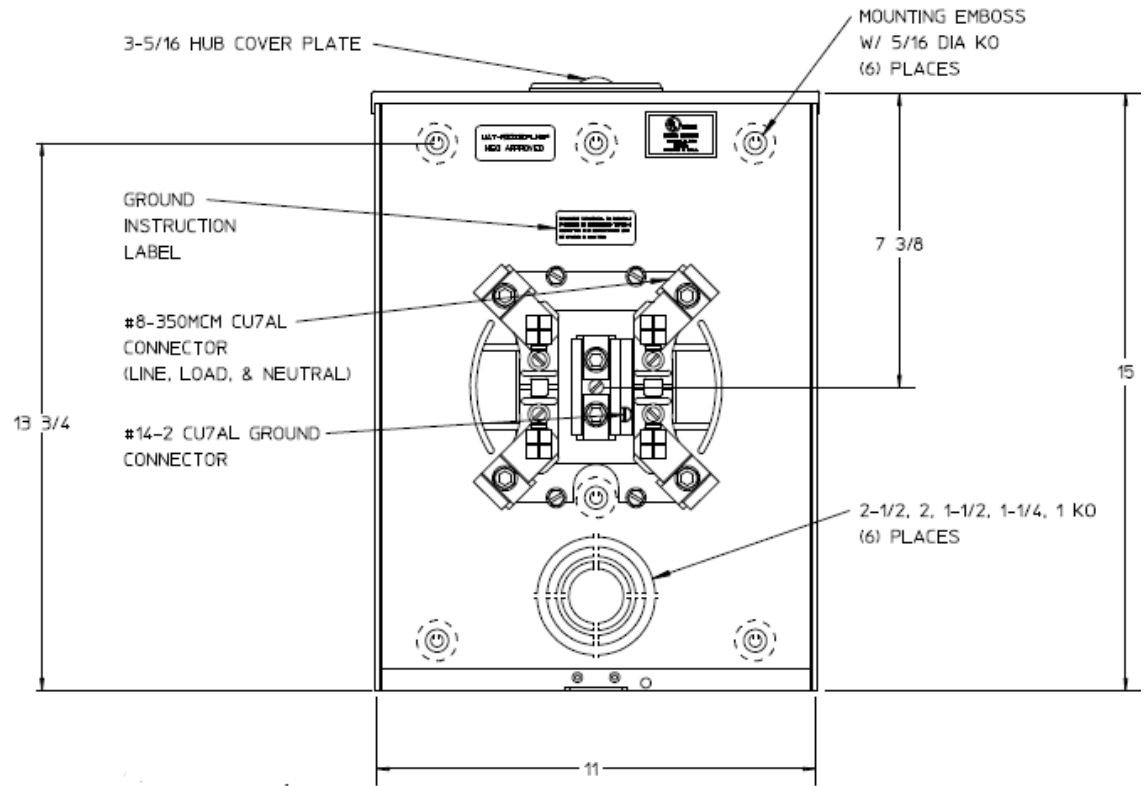


### Left Side View



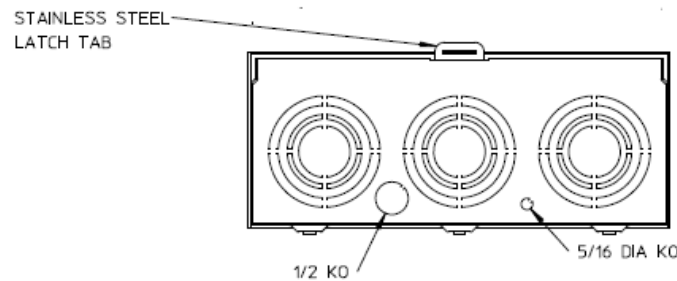
### Front View Interior



### Notes

- 1) FINISH: NATURAL
- 2) CABINET: .063 ALUMINUM
- 3) 200 AMP CONTINUOUS  
600 V.A.C., 1 PHASE, 3 WIRE
- 4) MIDWEST LABEL ATTACHED TO THE END OF CARTON
- 5) TEMPORARY CARDBOARD METER OPENING COVER PROVIDED
- 6) MIDWEST LOGO STAMPED ON LOWER LEFT-HAND CORNER OF FRONT

### Bottom View



METER SKT-(1) 200A 600V 1P3W ALUM N3R 4-TERM SMALL HUB COVER PLT TOP/BOT FEED TPLX GRD MEG APPROVED

CAT NO	DWG DATE	REV #
UATRS213CFLMEP	06/13/2016	01