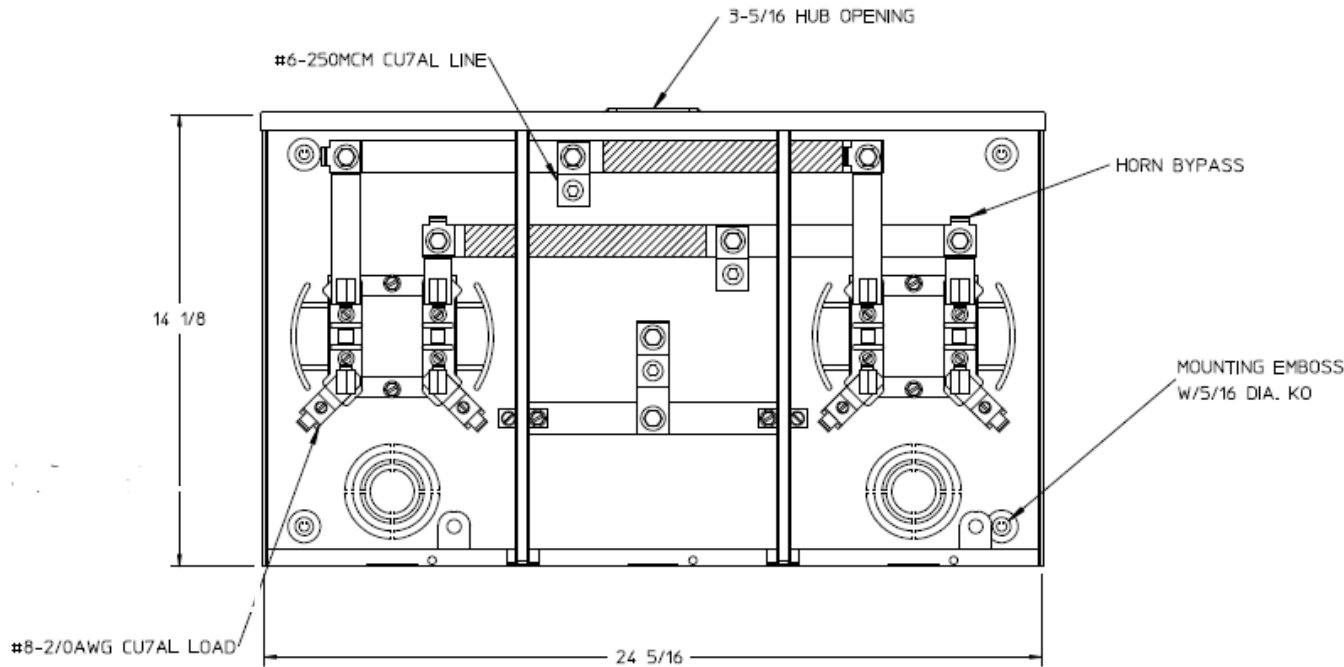
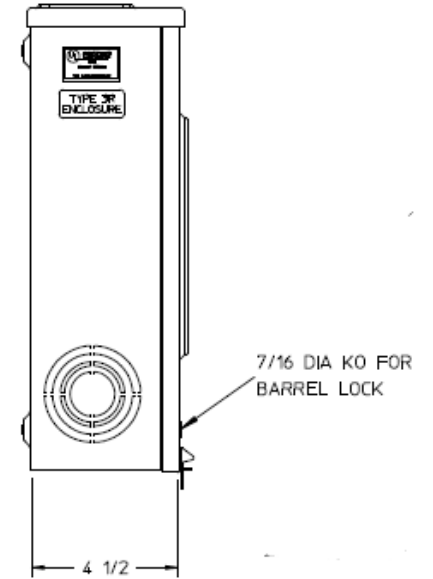


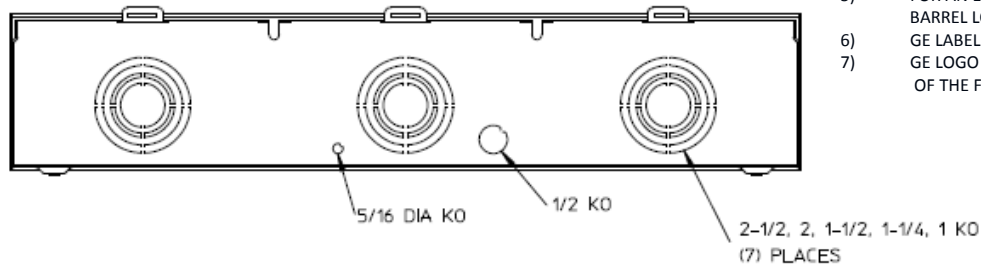
### Front View



### Side View



### Bottom View



### Notes

- 1) FINISH: GRAY
- 2) CABINET: 16 GA GALV. STEEL
- 3) 100 AMP CONTINUOUS PER POSITION  
600VAC, 1 PHASE, 3-WIRE  
200A AMP CONTINUOUS (TOTAL) UNIT RATING
- 4) TEMPORARY CARDBOARD METER OPENING COVER PROVIDED
- 5) FOR AN EXPOSED INNER-TITE OR BROOKS STANDARD LENGTH BARREL LOCK WITH A PERMANENTLY WELDED BRACKET
- 6) GE LABEL ATTACHED TO THE END OF THE CARTON
- 7) GE LOGO LOCATED IN THE LOWER LEFT-HAND CORNER OF THE FRONT



ORIZ GANGED METER SKTS-(2) 100A 600V N3R 1P3W SMALL HUB OPNG 4-TRM CTR FED HRN BYP BARREL LK G90

CAT NO	DWG DATE	REV #
UBH2R1121BGE	08/31/2016	02