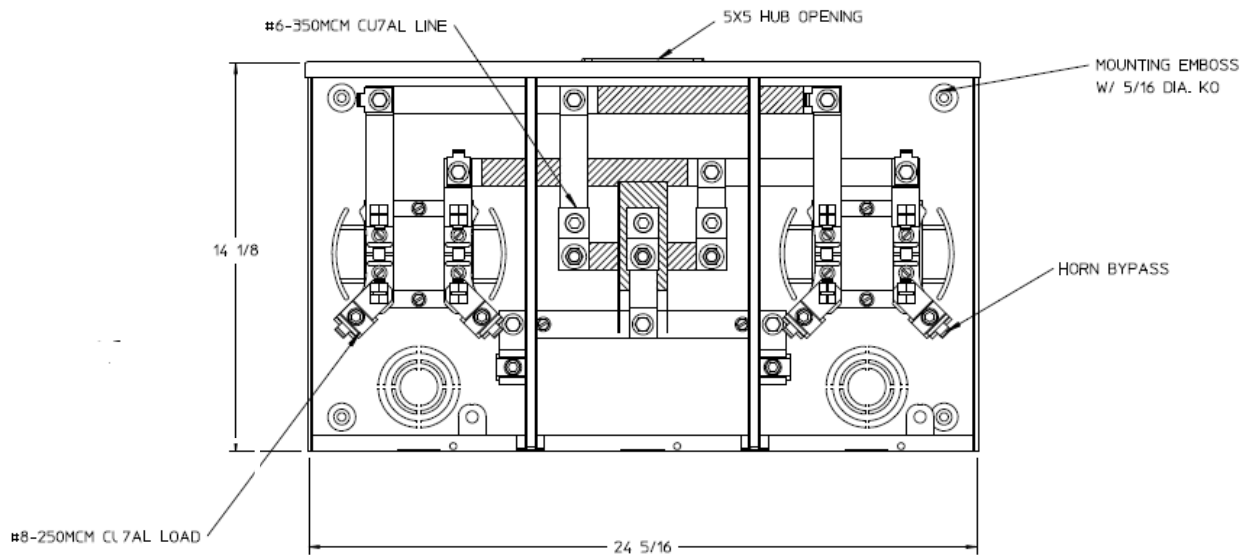
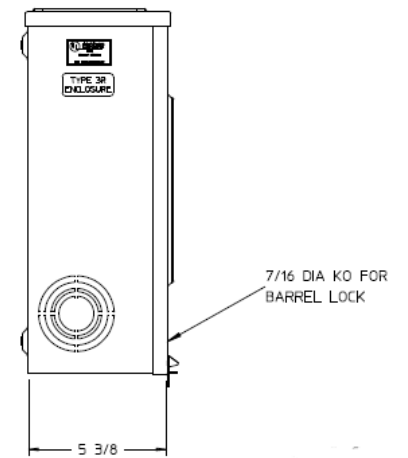


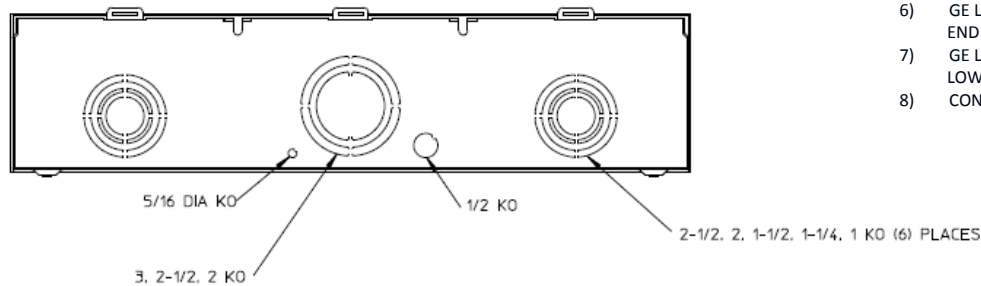
Front View



Side View



Bottom View



Notes

- 1) FINISH: GRAY
- 2) CABINET: 16 GA GALV. STEEL
- 3) 200 AMP CONTINUOUS
600VAC, 1 PHASE, 3-WIRE
250 AMP CONTINUOUS (TOTAL) UNIT RATING
- 4) FOR AN EXPOSED BROOKS OR INNNER-TITE
STANDARD LENGTH BARREL LOCK WITH A
PERMANENTLY WELDED BRACKET
- 5) TEMPORARY CARDBOARD
METER OPENING COVER PROVIDED
- 6) GE LABEL ATTACHED TO THE
END OF THE CARTON
- 7) GE LOGO LOCATED IN THE
LOWER LEFT-HAND CORNER OF THE FRONT
- 8) CONNECTORS POSITIONED FOR OVERHEAD FEED



HORIZ GANGED METER SKTS-(2) 200A 600V N3R 1P3W LARGE
HUB OPNG 4-TERM CTR FED HRN BYP BARREL LK G90

CAT NO	DWG DATE	REV #
UBH2R2332TGE	08/31/2016	02