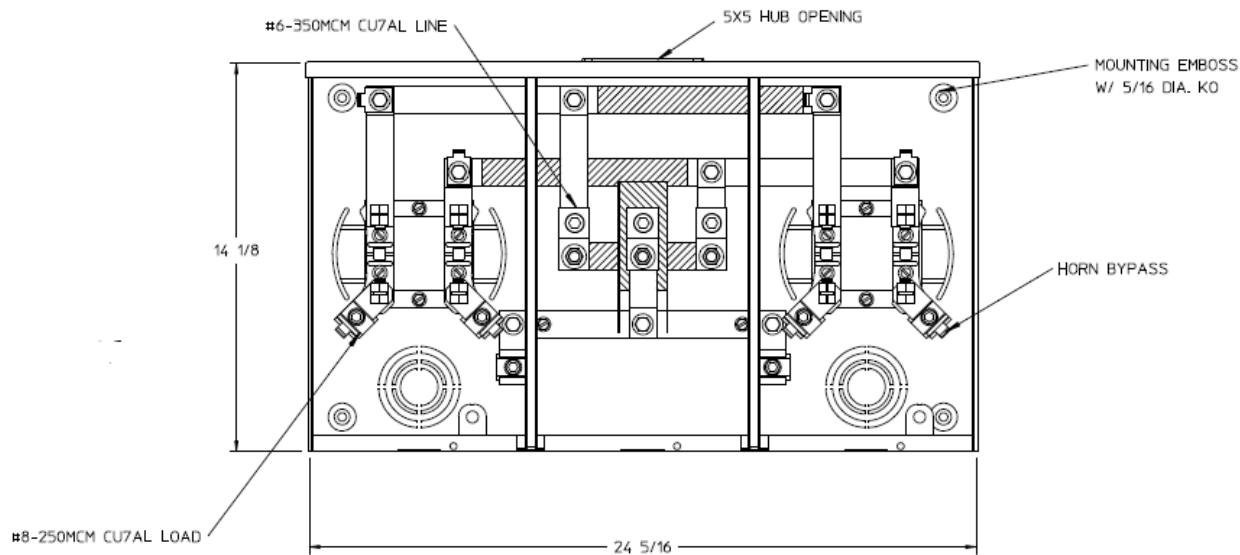
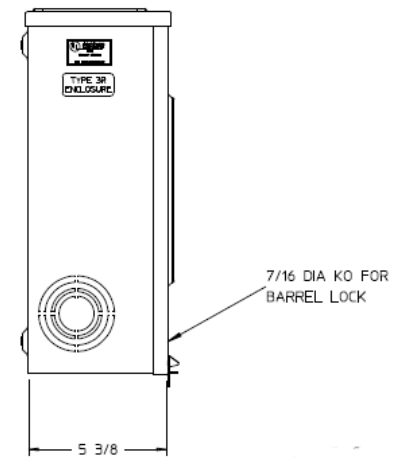


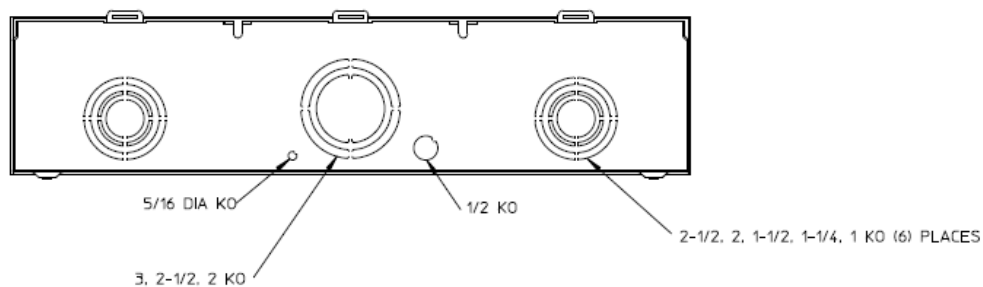
Front View



Side View



Bottom View



Notes

- 1) FINISH: GRAY
- 2) CABINET: 16 GA GALV STEEL
- 3) 200 AMP CONTINUOUS PER POSITION
600 VAC, 1 PHASE, 3-WIRE
250 AMP CONTINUOUS (TOTAL) UNIT RATING
- 4) FOR AN EXPOSED BROOKS OR
INNER-TITE STANDARD LENGTH
BARREL LOCK WITH A PERMANENTLY
WELDED BRACKET
- 5) TEMPORARY CARDBOARD METER
OPENING COVER PROVIDED
- 6) MIDWEST LABEL ATTACHED TO THE END
OF THE CARTON.
- 7) MIDWEST LOGO LOCATED IN LOWER LEFT
HAND CORNER OF THE FRONT.
- 4) CONNECTORS POSITIONED FOR OVERHEAD FEED.



HORIZ GANGED METER SOCKETS-(2) 200A 600V N3R 1P3W
HUB OPNG 4-TERM CTR FED AEP HRN BYP BARREL LK G90

CAT NO	DWG DATE	REV #
UBH2R2332TMEP	02/09/2016	01