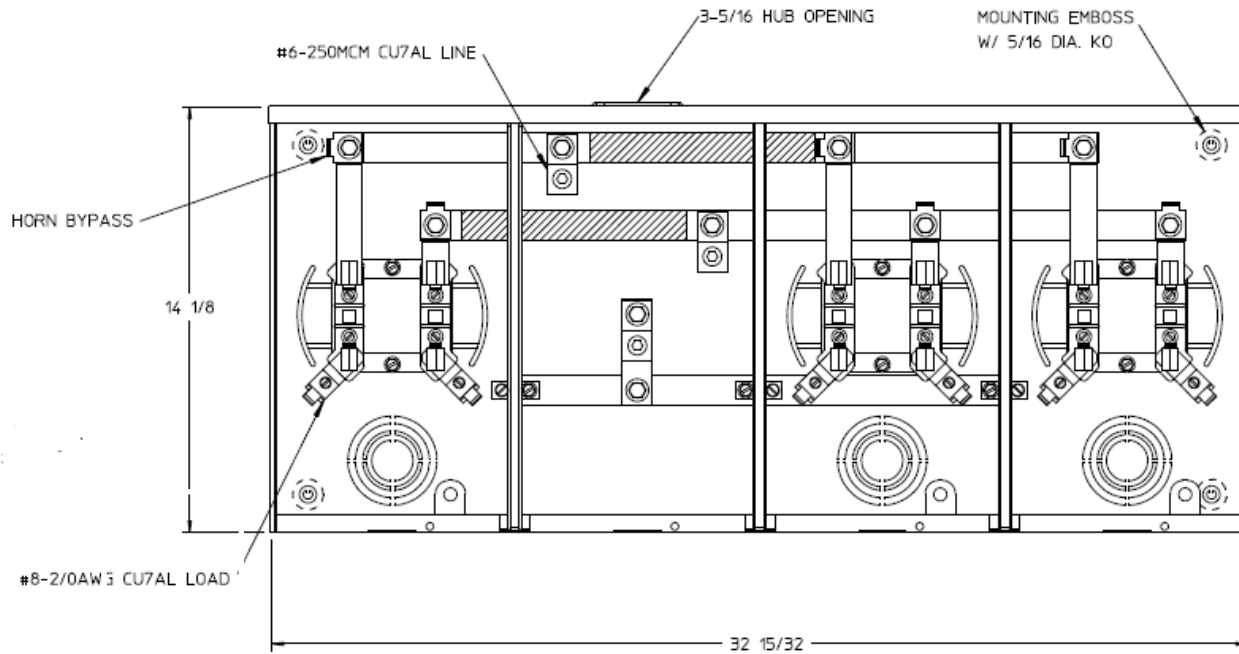
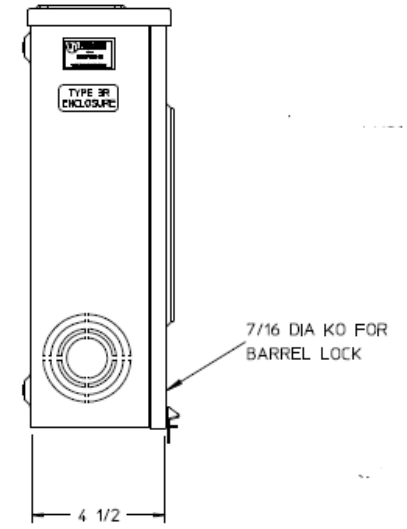


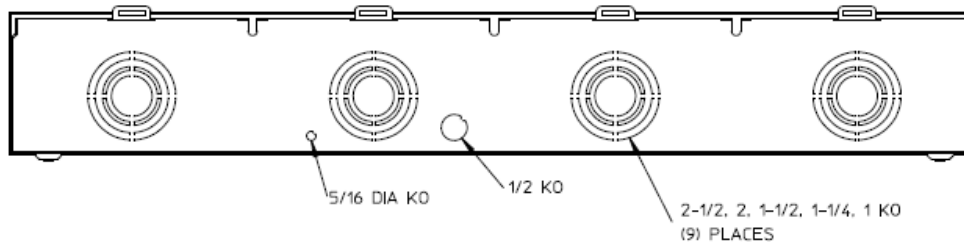
### Front View



### Side View



### Bottom View



### Notes

- 1) FINISH: GRAY
- 2) CABINET: 16 GA GALV. STEEL
- 3) 100 AMP CONTINUOUS PER POSITION  
600VAC, 1 PHASE, 3-WIRE  
205AMP CONTINUOUS (TOTAL) UNIT RATING
- 4) FOR AN EXPOSED INNER-TITE OR BROOKS STANDARD LENGTH BARREL LOCK WITH A PERMANENTLY WELDED BRACKET
- 5) TEMPORARY CARDBOARD METER OPENING COVER PROVIDED
- 6) GE LABEL ATTACHED TO THE END OF THE CARTON
- 7) GE LOGO LOCATED IN THE LOWER LEFT-HAND CORNER OF THE FRONT



ORIZ GANGED METER SKTS-(3) 100A 600V N3R 1P3W SMALL HUB OPNG 4-TERM CTR FED HRN BYP BARREL LK G90

| CAT NO       | DWG DATE   | REV # |
|--------------|------------|-------|
| UBH3R1121BGE | 08/31/2016 | 02    |