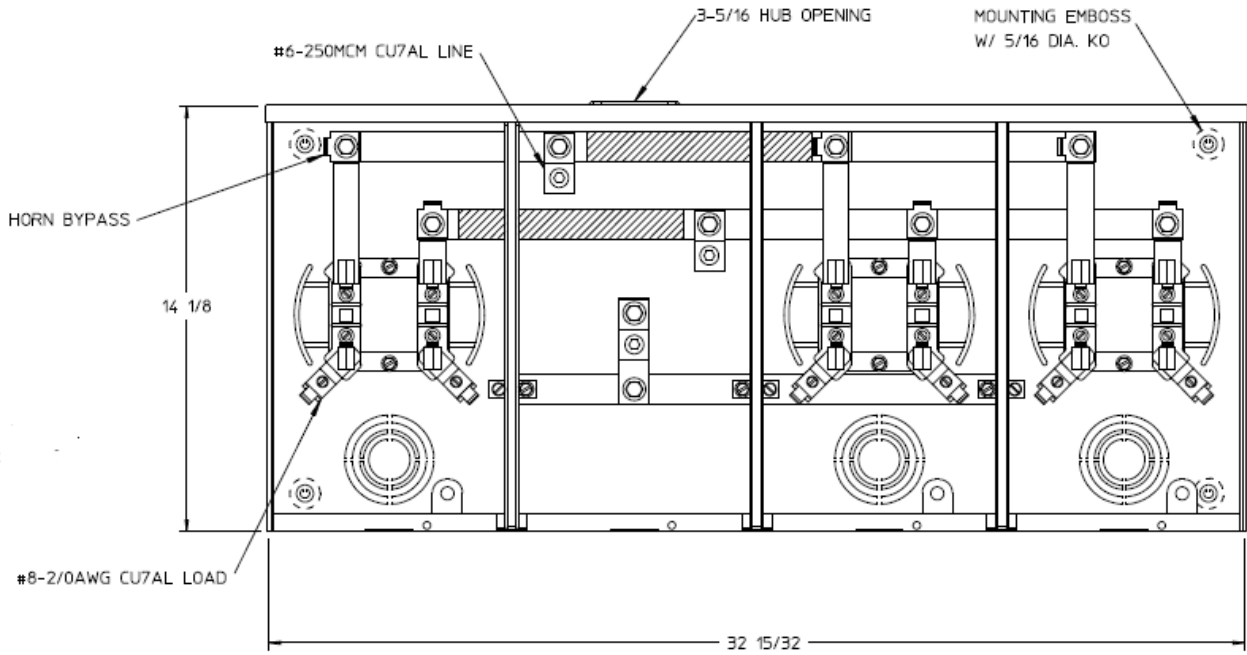
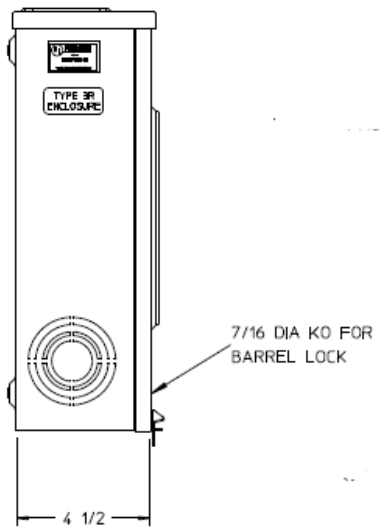


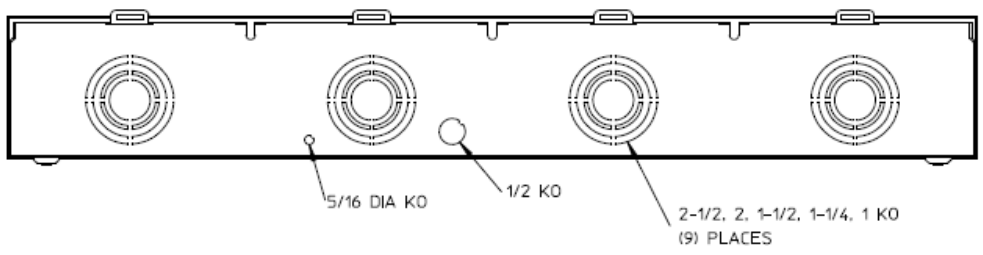
### Front View



### Side View



### Bottom View



### Notes

- 1) FINISH: GRAY
- 2) CABINET: 16 GA GALV. STEEL
- 3) 100 AMP CONTINUOUS PER POSITION  
600 VAC, 1 PHASE, 3-WIRE  
205 AMP CONTINUOUS (TOTAL) UNIT RATING
- 4) FOR AN EXPOSED BROOKS OR  
INNER-TITE STANDARD LENGTH  
BARREL LOCK WITH A PERMANENTLY  
WELDED BRACKET
- 5) TEMPORARY CARDBOARD METER  
OPENING COVER PROVIDED
- 6) MIDWEST CARTON LABEL ATTACHED TO  
THE END OF THE CARTON.
- 7) MIDWEST LOGO LOCATED IN LOWER  
LEFTHAND CORNER OF FRONT.



HORIZ GANGED METER SOCKETS-(3) 100A 600V N3R 1P3W  
HUB OPNG 4-TERM CTR FED AEP HRN BYP BARREL LK G90

CAT NO	DWG DATE	REV #
UBH3R1121BMEP	02/09/2016	01