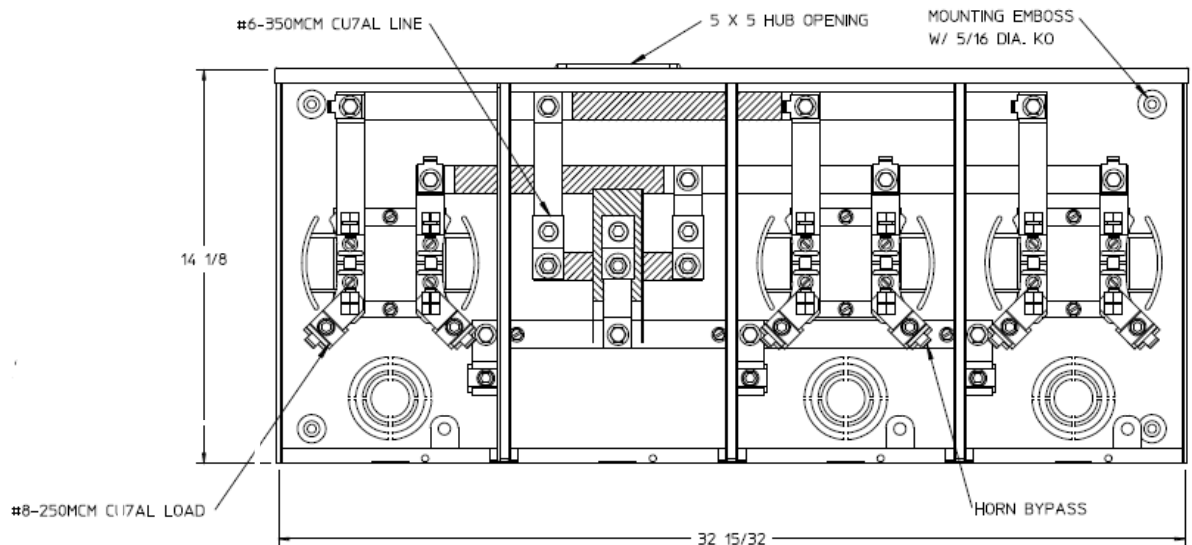
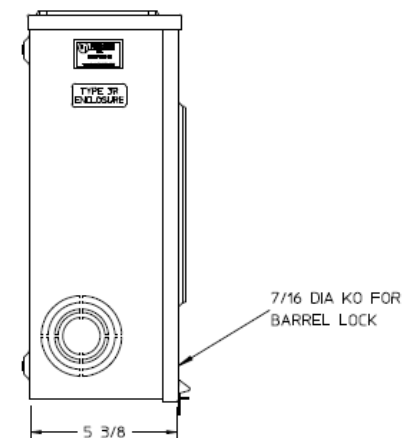


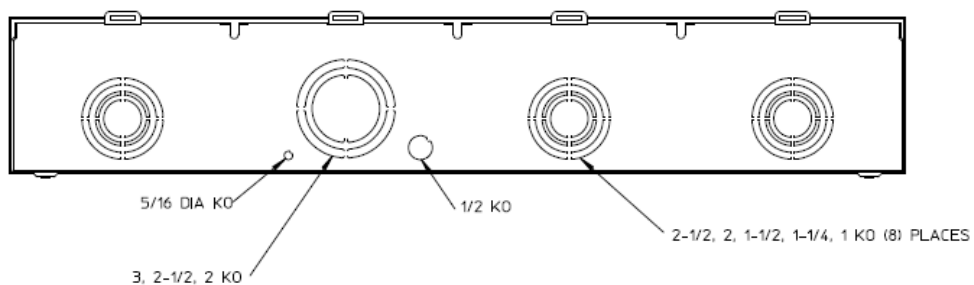
Front View



Side View



Bottom View



Notes

- 1) FINISH: GRAY
- 2) CABINET: 16 GA GALV. STEEL
- 3) 200 AMP CONTINUOUS PER POSITION
300 AMP CONTINUOUS (TOTAL) UNIT RATING WITH CU
250 AMP CONTINUOUS (TOTAL) UNIT RATING WITH AL
600VAC, 1 PHASE, 3-WIRE
- 4) GE LABEL ATTACHED TO THE END OF THE CARTON
- 5) TEMPORARY CARDBOARD METER OPENING COVER PROVIDED
- 6) GE LOGO LOCATED IN THE LOWER LEFT-HAND CORNER OF THE FRONT
- 7) FOR AN EXPOSED BROOKS OR INNER-TITE STANDARD LENGTH BARREL LOCK WITH A PERMANENTLY WELDED BRACKET
- 8) CONNECTORS POSITIONED FOR OVERHEAD FEED



HORIZ GANGED METER SKTS-(3) 200A 600V N3R 1P3W LARGE HUB OPNG 4-TRM CTR FED HRN BYP BARREL LK G90

CAT NO	DWG DATE	REV #
UBH3R2332TGE	02/09/2016	01