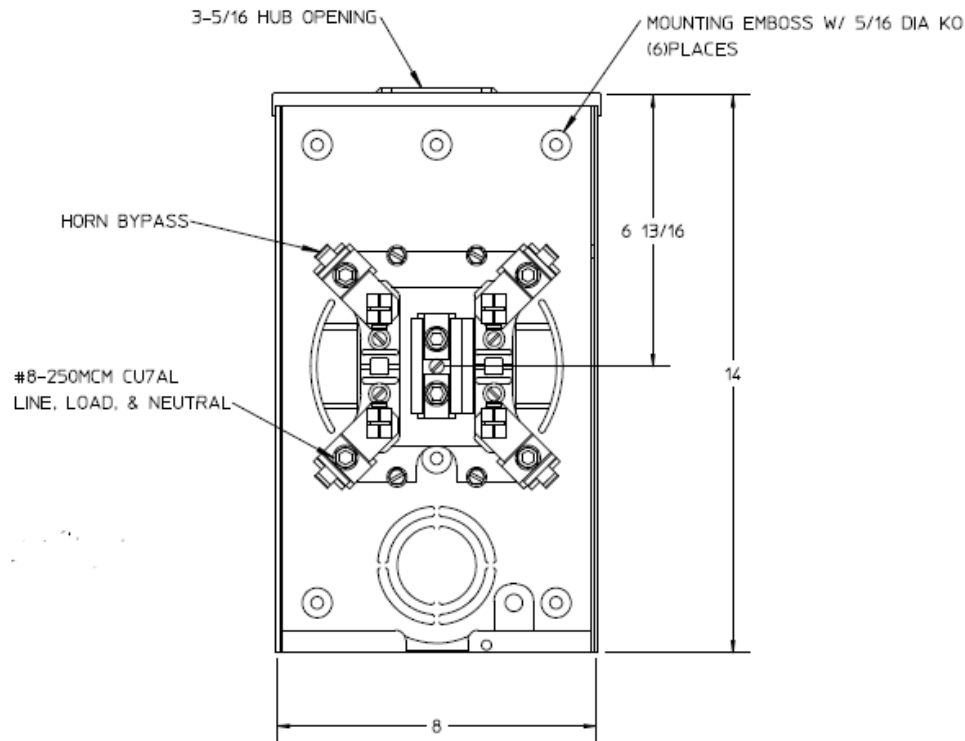
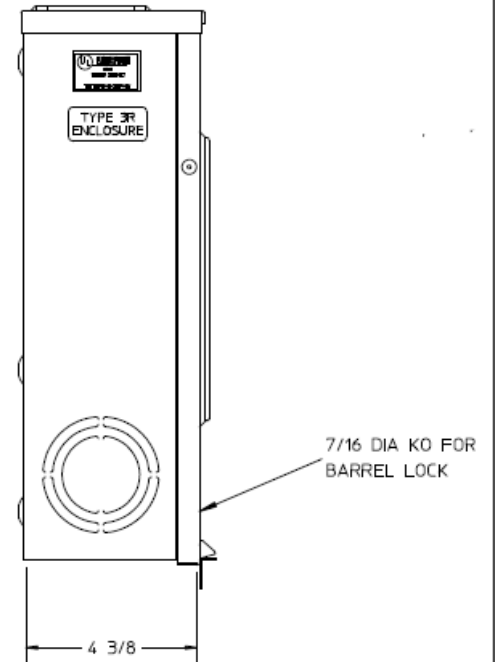


Front View



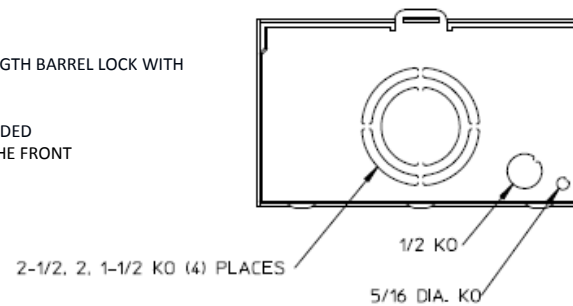
Side View



Notes

- 1) FINISH: GRAY
- 2) CABINET: 16GA GALV STEEL
- 3) 200 AMP CONTINUOUS, 600 VAC, 1 PHASE, 3 WIRE
- 4) FOR AN EXPOSED INNER-TITE OR BROOKS STANDARD LENGTH BARREL LOCK WITH A PERMANENTLY WELDED BRACKET
- 5) GE LABEL ATTACHED TO THE END OF THE CARTON
- 6) TEMPORARY CARDBOARD METER OPENING COVER PROVIDED
- 7) GE LOGO STAMPED ON LOWER LEFT HAND CORNER OF THE FRONT

Bottom View



METER SOCKET - (1) 200A 600V 1P3W N3R G90 4-TERM
SMALL HUB OPNG BARREL LK HORN BYP TOP FEED

CAT NO	DWG DATE	REV #
UBHRS202BGE	08/31/2016	02