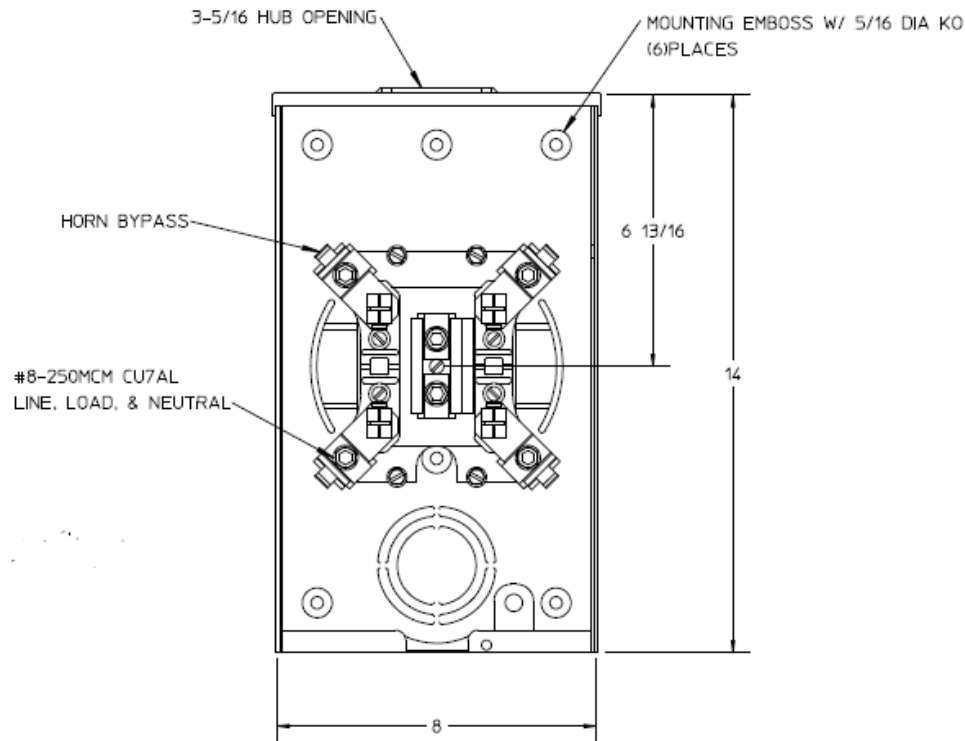
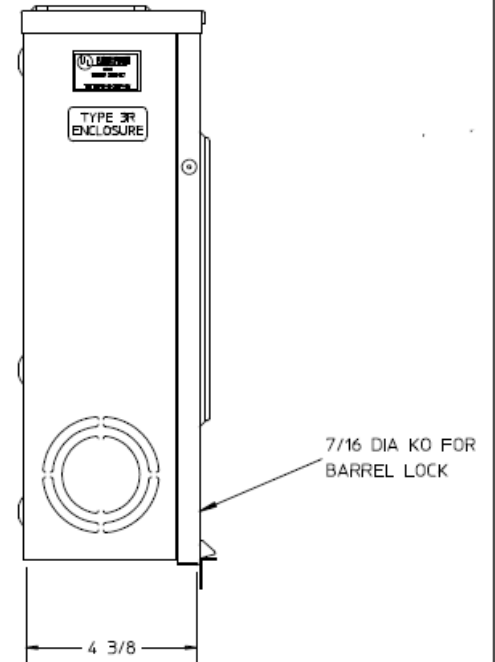


Front View



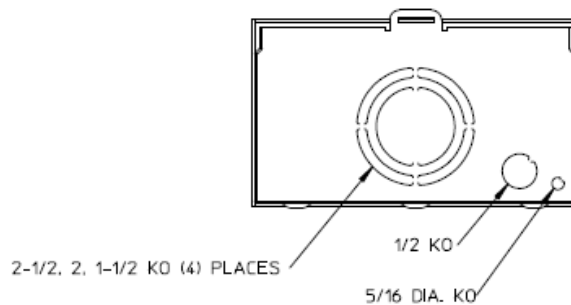
Side View



Notes

- 1) FINISH: GRAY
- 2) CABINET: 16 GA GALV. STEEL
- 3) 200 AMP CONTINUOUS, 600 VAC, 1 PHASE, 3-WIRE
- 4) FOR AN EXPOSED BROOKS OR INNER-TITE STANDARD LENGTH BARREL LOCK WITH A PERMANENTLY WELDED BRACKET
- 5) TEMPORARY CARDBOARD METER OPENING COVER PROVIDED
- 6) MIDWEST LABEL ATTACHED TO THE END OF THE CARTON.
- 7) MIDWEST LOGO LOCATED IN THE LOWER LEFT-HAND CORNER OF THE FRONT.

Bottom View



METER SOCKET - (1) 200A 600V 1P3W N3R G90 4-TERM HUB OPENING HORN BYPASS AEP BARREL LOCK TOP FEED

CAT NO	DWG DATE	REV #
UBHRS202BMEP	02/10/2016	01