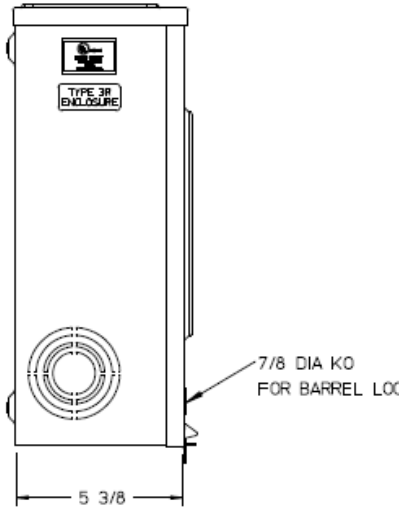
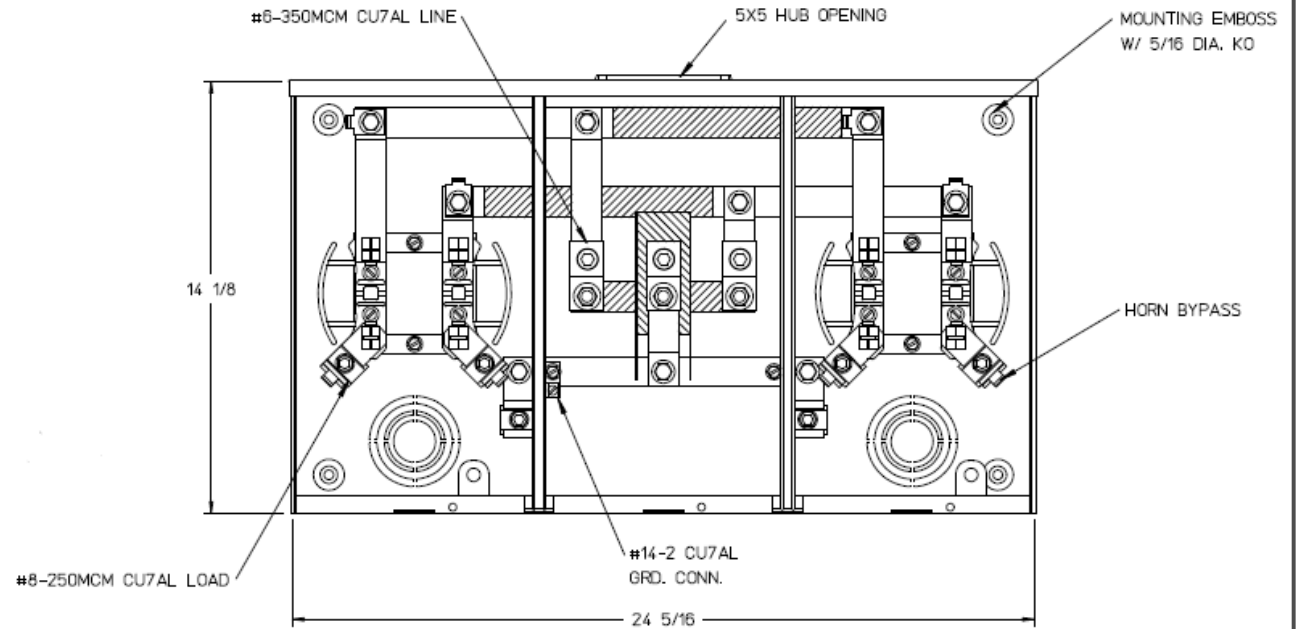


### Left Side View



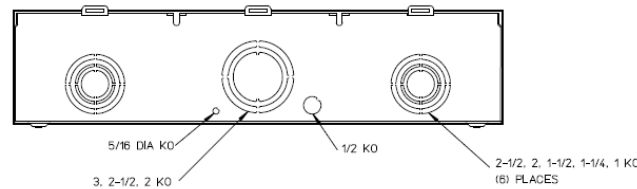
### Front View Interior




### Notes

- 1) FINISH: GRAY
- 2) CABINET: 16 GA GALV. STEEL
- 3) 200 AMP CONTINUOUS PER POSITION  
600VAC, 1 PHASE, 3-WIRE  
250 AMP CONTINUOUS (TOTAL) UNIT RATING
- 4) GE LABEL ATTACHED TO THE END OF THE CARTON
- 5) TEMPORARY CARDBOARD METER OPENING COVER PROVIDED
- 6) GE LOGO LOCATED IN THE LOWER LEFT-HAND CORNER OF THE FRONT
- 7) FOR AN EXPOSED BROOKS OR INNER-TITE STANDARD LENGTH BARREL LOCK IN CONJUNCTION WITH BROOKS LOCK GUARDS #865 OR #86505 WITH PERMANENTLY WELDED BRACKET
- 8) CONNECTORS POSITIONED FOR OVERHEAD FEED

### Bottom View



		
HORIZ GANGED MTR SKTS-(2) 200A 600V 1P3W N3R LARGE HUB OPNG HORN BYP AEP BRL LK 4-TRM CENTER FEED G90 TPLX GRD		
<b>CAT NO</b>	<b>DWG DATE</b>	<b>REV #</b>
UFHT2R2332TGE	06/09/2016	01