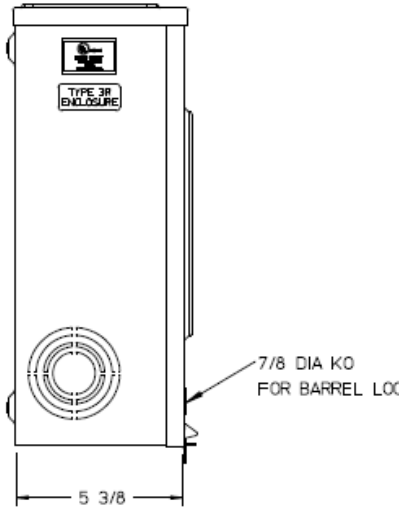
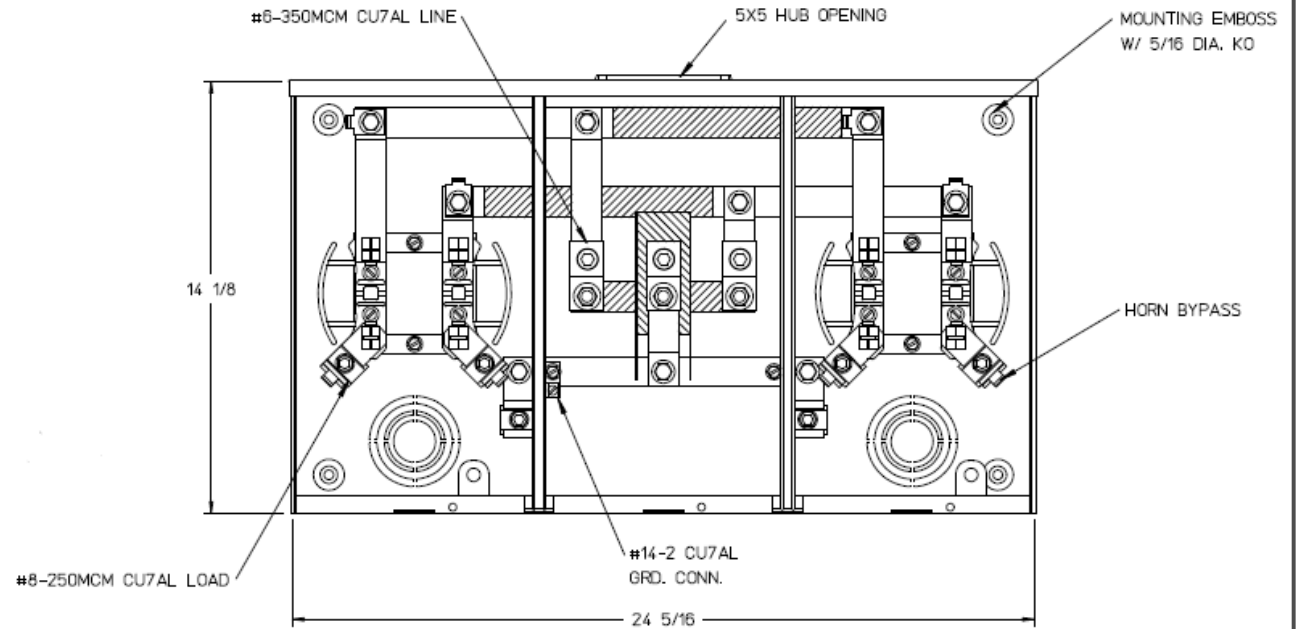


### Left Side View



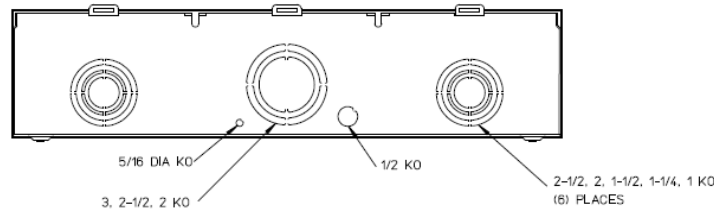
### Front View Interior



### Notes

- 1) FINISH: GRAY
- 2) CABINET: 18GA GALV STEEL
- 3) 200 AMP CONTINUOUS PER POSITION  
600 VAC, 1 PHASE, 3-WIRE  
250 AMP CONTINUOUS (TOTAL) UNIT RATING
- 4) MIDWEST CARTON LABEL ATTACHED  
TO END OF CARTON.
- 5) TEMPORARY CARDBOARD METER OPENING  
COVERS PROVIDED.
- 6) MIDWEST LOGO STAMPED IN THE  
LOWER LEFT-HAND CORNER OF FRONTS.
- 7) FOR BROOKS OR INNER-TITE STANDARD  
LENGTH BARREL LOCK IN CONJUNCTION  
WITH BROOKS LOCK GUARDS #865 OR  
#86505 WITH A PERMANENTLY WELDED  
BRACKET.
- 8) CONNECTORS POSITIONED FOR OVERHEAD FEED.

### Bottom View



HORIZ GANGED MTR SKTS-(2) 200A 600V 1P3W N3R LARGE HUB  
OPNG HORN BYP AEP BRL LK 4-TRM CENTER FEED G90 TPLX GRD

CAT NO	DWG DATE	REV #
UFHT2R2332TMEP	06/09/2016	01