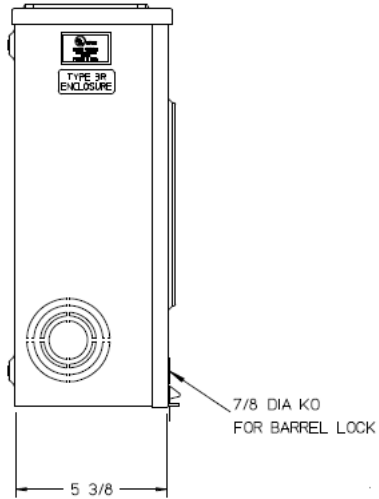
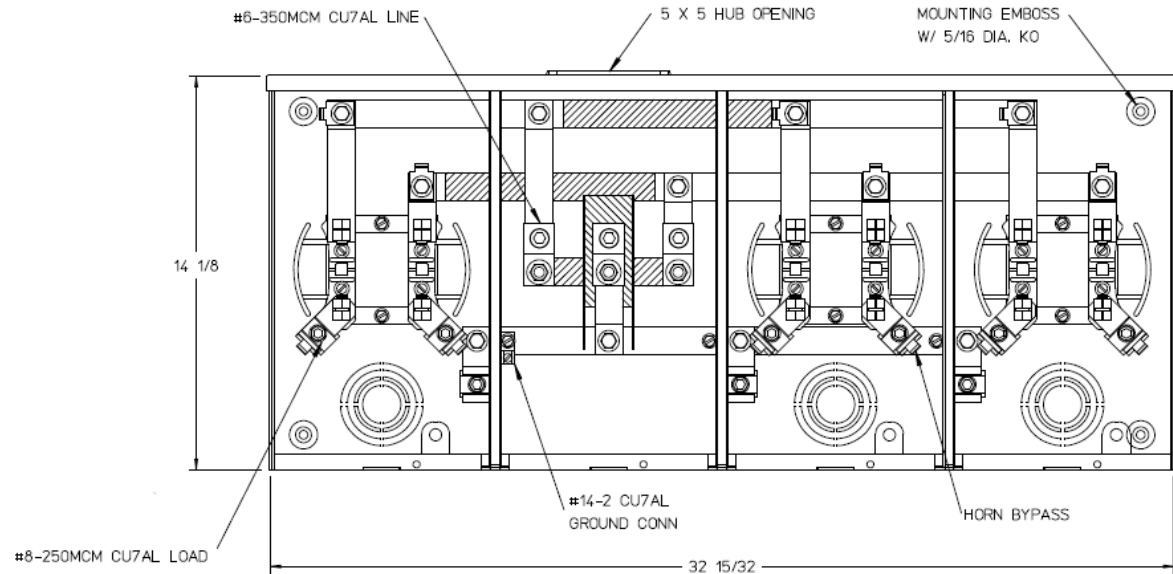


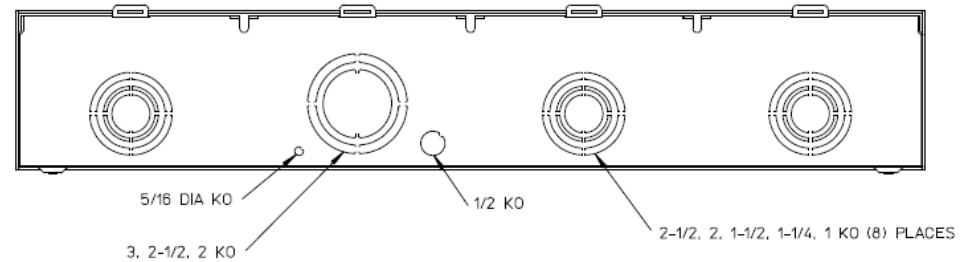
Left Side View



Front View Interior



Bottom View



Notes

- 1) FINISH: GRAY
- 2) CABINET: 16 GA GALV. STEEL
- 3) 200 AMP CONTINUOUS PER POSITION
300 AMP CONTINUOUS (TOTAL) UNIT RATING WITH CU
250 AMP CONTINUOUS (TOTAL) UNIT RATING WITH AL
600VAC, 1 PHASE, 3-WIRE
- 4) GE LABEL ATTACHED TO THE END OF THE CARTON
- 5) TEMPORARY CARDBOARD METER OPENING COVER PROVIDED
- 6) GE LOGO LOCATED IN THE LOWER LEFT-HAND CORNER OF THE FRONT
- 7) FOR AN EXPOSED BROOKS OR INNER-TITE STANDARD LENGTH BARREL LOCK GUARDS #865 OR #86505 WITH PERMANENTLY WELDED BRACKET
- 8) CONNECTORS POSITIONED FOR OVERHEAD FEED



HORIZ GANGED MTR SKTS-(3) 200A 600V 1P3W N3R LARGE HUB
OPNG HORN BYP AEP BRL LK 4-TRM CENTER FEED G90 TRPLX GRD

CAT NO

DWG DATE

REV #

UFHT3R2332TGE

06/09/2016

01