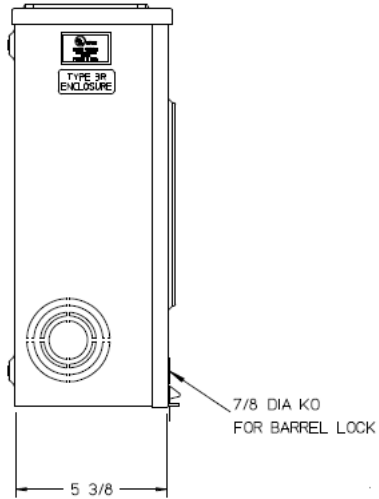
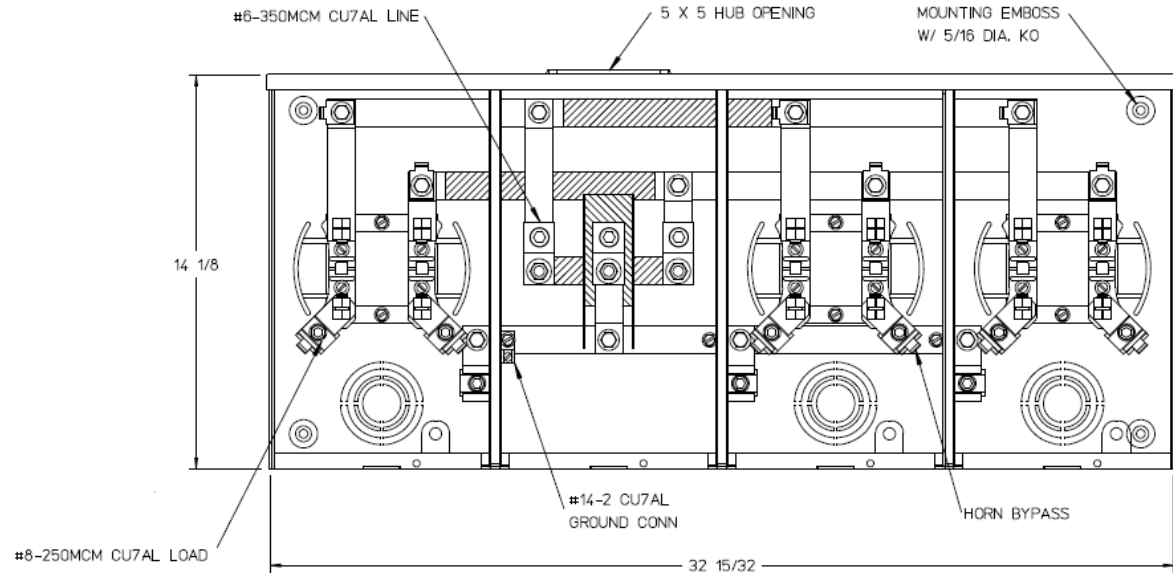


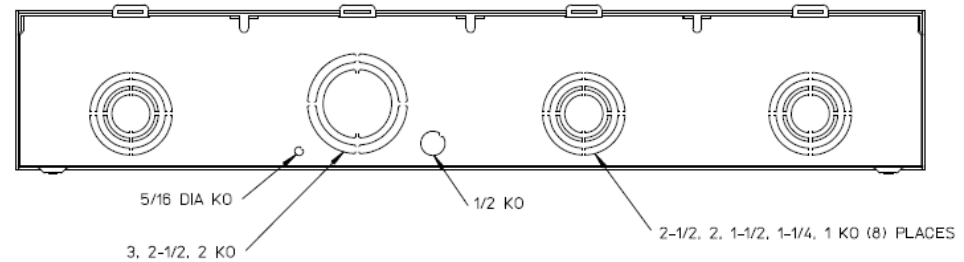
### Left Side View



### Front View Interior



### Bottom View



### Notes

- 1) FINISH: GRAY
- 2) CABINET: 16 GA GALV. STEEL
- 3) 200 AMP CONTINUOUS PER POSITION  
300 AMP CONTINUOUS (TOTAL) UNIT RATING WITH CU  
250 AMP CONTINUOUS (TOTAL) UNIT RATING WITH AL  
600 VAC, 1 PHASE, 3-WIRE  
RESIDENTIAL SERVICE ONLY
- 4) EATON LABEL ATTACHED TO THE END OF THE CARTON.
- 5) TEMPORARY CARDBOARD METER OPENING COVERS PROVIDED.
- 6) EATON LOGO STAMPED IN THE LOWER LEFT-HAND CORNERS OF FRONTS.
- 7) FOR BROOKS OR INNER-TITE STANDARD LENGTH BARREL LOCK IN CONJUNCTION WITH BROOKS LOCK GUARDS #865 OR #86505 WITH A PERMANENTLY WELDED BRACKET.
- 8) CONNECTORS POSITIONED FOR OVERHEAD FEED.



HORIZ GANGED MTR SKTS-(3) 200A 600V 1P3W N3R LARGE HUB  
OPNG HORN BYP AEP BRL LK 4-TRM CENTER FEED G90 TRPLX GRD

CAT NO	DWG DATE	REV #
UFHT3R2332TMEP	06/09/2016	01