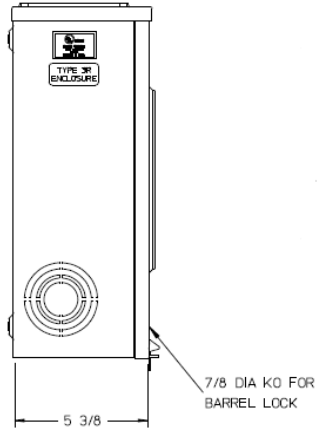
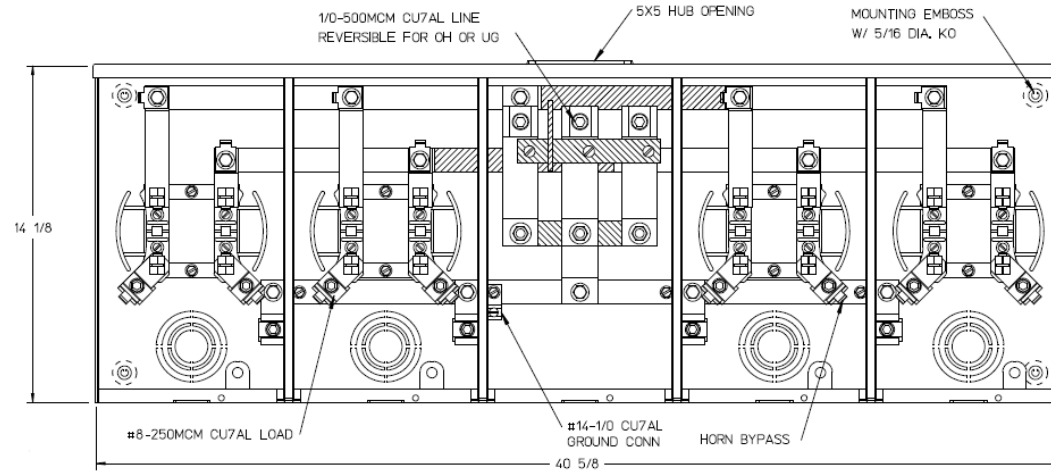


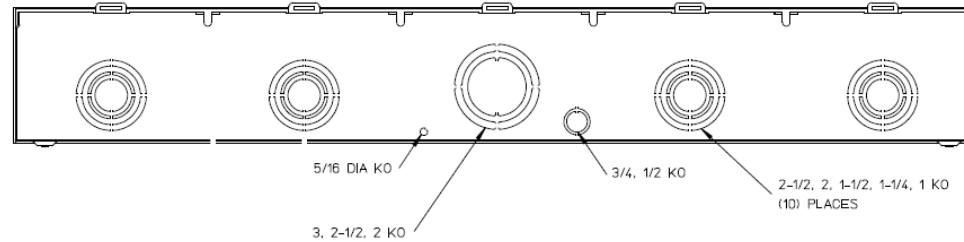
Left Side View



Front View Interior



Bottom View



Notes

- 1) FINISH: GRAY
- 2) CABINET: 16 GA GALV. STEEL
- 3) 200 AMP CONTINUOUS PER POSITION
600 VAC, 1 PHASE, 3-WIRE
360 AMP CONTINUOUS (TOTAL) UNIT RATING WITH CU
310 AMP CONTINUOUS (TOTAL) UNIT RATING WITH AL
600VAC, 1 PHASE, 3-WIRE
- 4) GE LABEL ATTACHED TO THE END OF THE CARTON
- 5) TEMPORARY CARDBOARD METER OPENING COVER PROVIDED
- 6) GE LOGO LOCATED IN THE LOWER LEFT-HAND CORNER OF THE FRONT
- 7) FOR AN EXPOSED BROOKS OR INNER-TITE STANDARD LENGTH BARREL LOCK GUARDS #865 OR #86505 WITH PERMANENTLY WELDED BRACKET



HORIZ GANGED MTR SKTS-(4) 200A 600V 1P3W N3R LARGE HUB
OPNG HORN BYP AEP BRL LK 4-TRM CENTER FEED G90 TPLX GRD

CAT NO

UFHT4R2352TGE

DWG DATE

06/09/2016

REV #

01