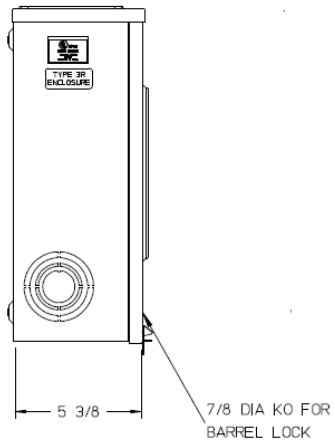
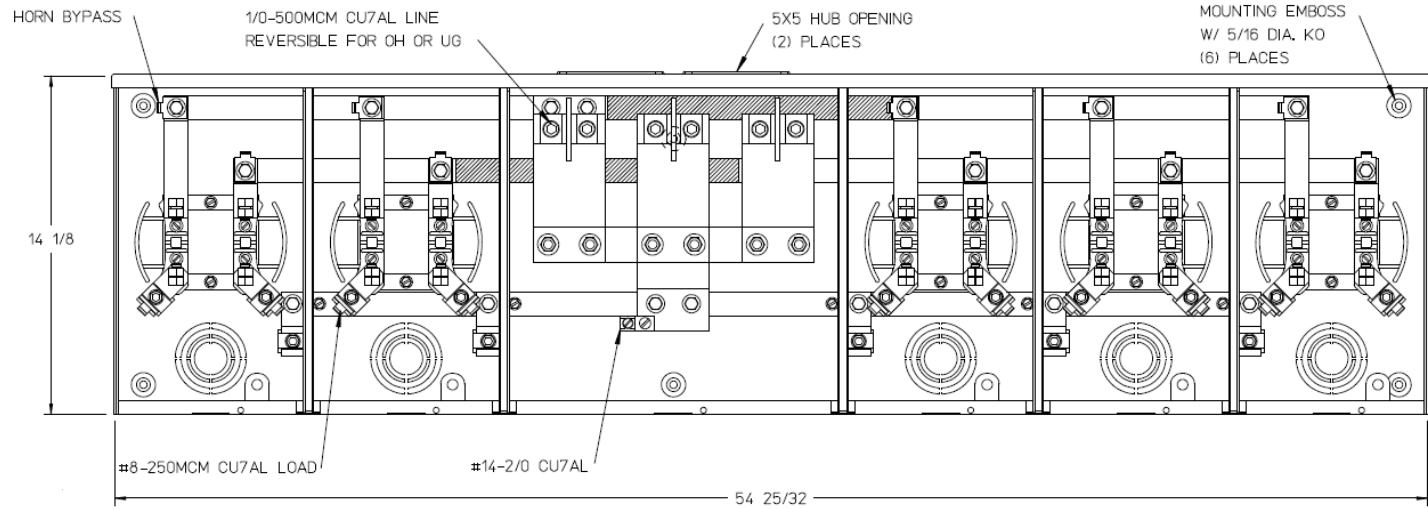


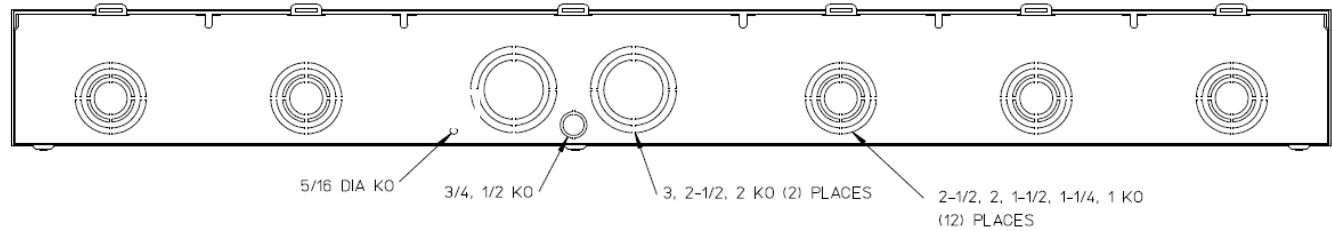
### Left Side View



### Front View Interior



### Bottom View



### Notes

- 1) FINISH: GRAY
- 2) CABINET: 16 GA GALV. STEEL
- 3) 200 AMP CONTINUOUS PER POSITION  
600 VAC, 1 PHASE, 3-WIRE  
500 AMP CONTINUOUS (TOTAL) UNIT RATING
- 4) GE LABEL ATTACHED TO THE END OF THE CARTON
- 5) TEMPORARY CARDBOARD METER OPENING COVER PROVIDED
- 6) GE LOGO LOCATED IN THE LOWER LEFT-HAND CORNER OF THE FRONT
- 7) FOR AN EXPOSED BROOKS OR INNER-TITE STANDARD LENGTH BARREL LOCK GUARDS #865 OR #86505 WITH PERMANENTLY WELDED BRACKET



HORIZ GANGED MTR SKTS-(5) 200A 600V 1P3W N3R 2-LARGE HUB OPNG HORN BYP AEP BRL LK 4-TRM CENTER FEED G90 TPLX GRD

CAT NO	DWG DATE	REV #
UFHT5R2392TTGE	06/09/2016	01