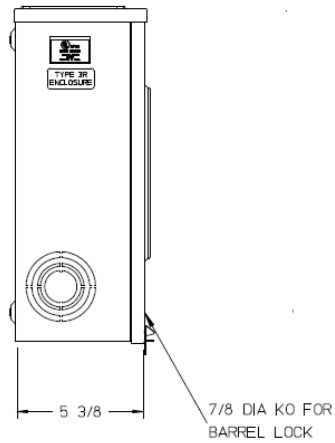
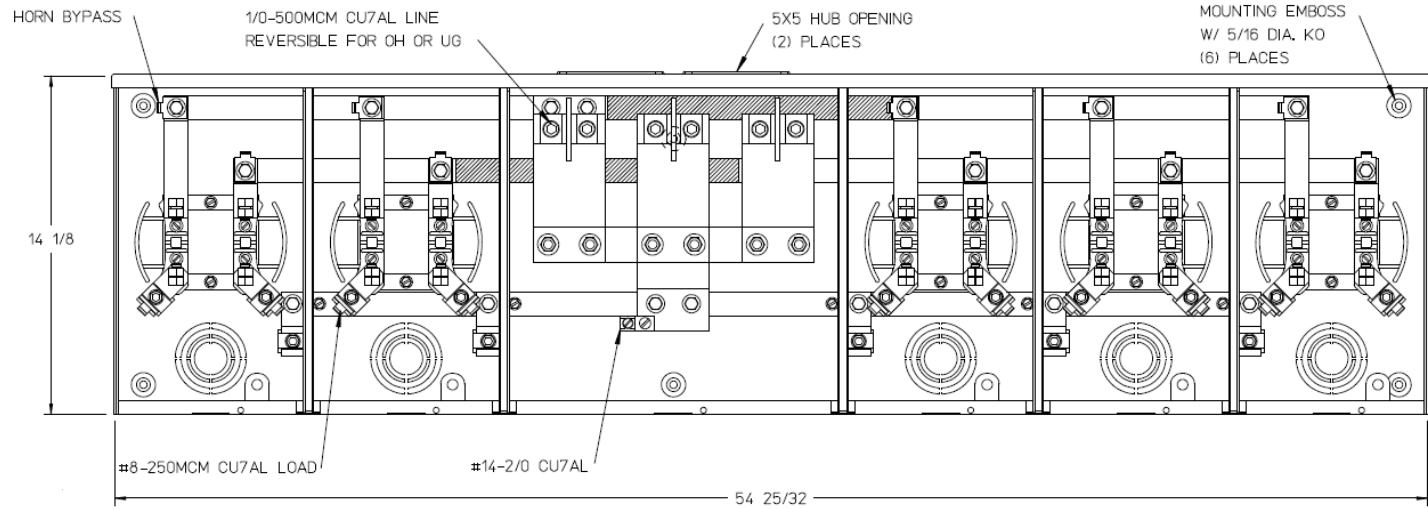


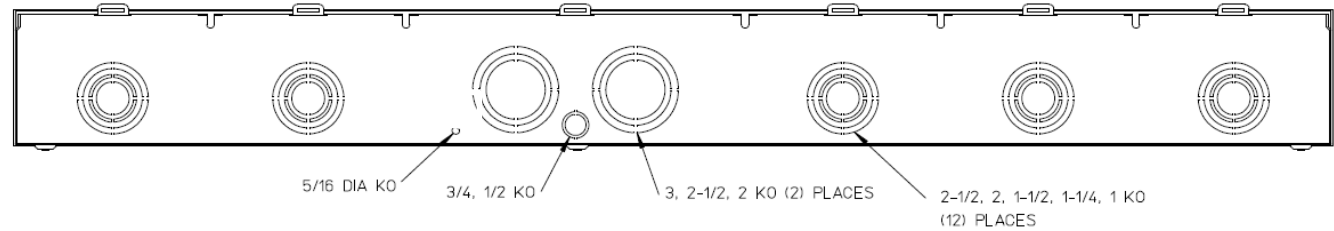
### Left Side View



### Front View Interior



### Bottom View



### Notes

- 1) FINISH: GRAY
- 2) CABINET: 160A GALV. STEEL
- 3) 200 AMP CONTINUOUS PER POSITION  
600 VAC, 1 PHASE, 3-WIRE  
500 AMP CONTINUOUS (TOTAL) UNIT RATING
- 4) FOR BROOKS OR INNER-TITE  
STANDARD LENGTH BARREL LOCK  
IN CONJUNCTION WITH BROOKS  
LOCK GUARDS #865 OR #86505  
WITH A PERMANENTLY WELDED  
BRACKET
- 5) MIDWEST LABEL ATTACHED  
TO THE END OF THE CARTON
- 6) TEMPORARY CARDBOARD METER OPENING  
COVERS PROVIDED.
- 7) MIDWEST LOGO STAMPED IN THE  
LOWER LEFT-HAND CORNER OF FRONTS



HORIZ GANGED MTR SKTS-(5) 200A 600V 1P3W N3R 2-LARGE HUB  
OPNG HORN BYP AEP BRL LK 4-TRM CENTER FEED G90 TPLX GRD

CAT NO	DWG DATE	REV #
UFHT5R2392TTMEP	06/09/2016	01