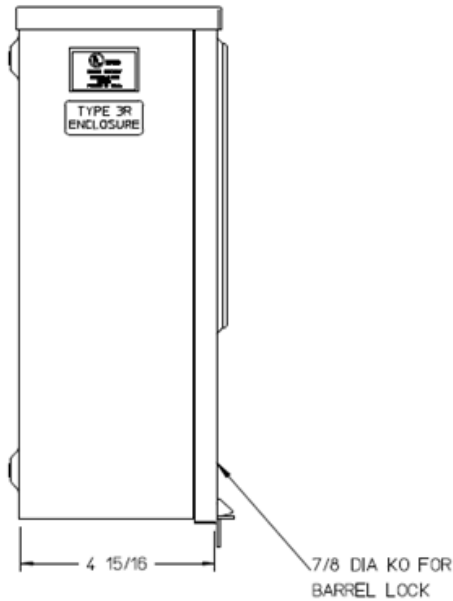
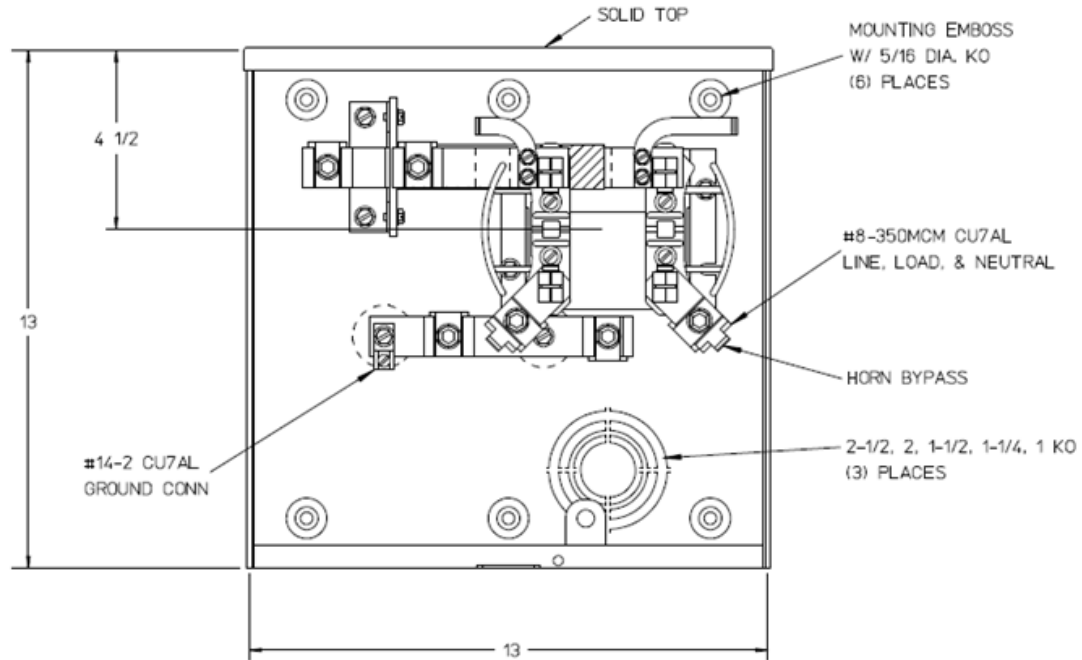


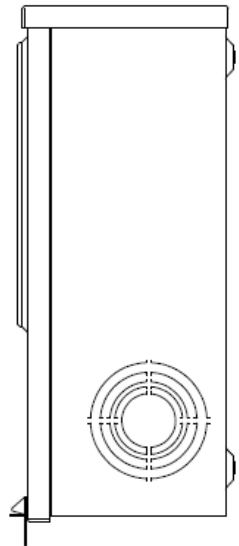
Left Side View



Front View Interior



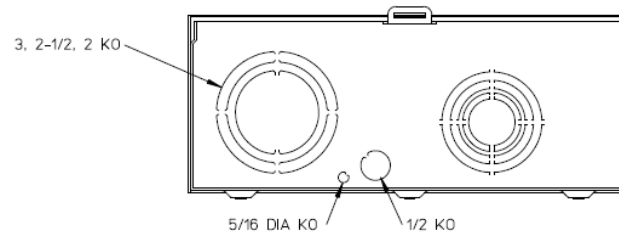
Right Side View



Notes

- 1) FINISH: GRAY
- 2) CABINET: 16GA GALV STEEL
- 3) 200 AMP CONTINUOUS, 600 VAC, 1 PHASE, 3 WIRE
- 4) FOR BROOKS OR INNER-TITE STANDARD LENGTH BARREL LOCK IN CONJUNCTION WITH A BROOKS LOCK GUARDS # 865 OR # 86505 WITH A PERMANENTLY WELDED BRACKET
- 5) GE LABEL ATTACHED TO THE END OF THE CARTON
- 6) TEMPORARY CARDBOARD METER OPENING COVER PROVIDED
- 7) GE LOGO STAMPED ON LOWER LEFT HAND CORNER OF THE FRONT

Bottom View



METER SOCKET-(1) 200A 600V 1P3W G90 N3R 4-TERMINAL
SOLID TOP TPLX GRD HORN BYP AEP BARREL LK BOT FEED

CAT NO	DWG DATE	REV #
UFHTRS223AGE	04/25/2016	02