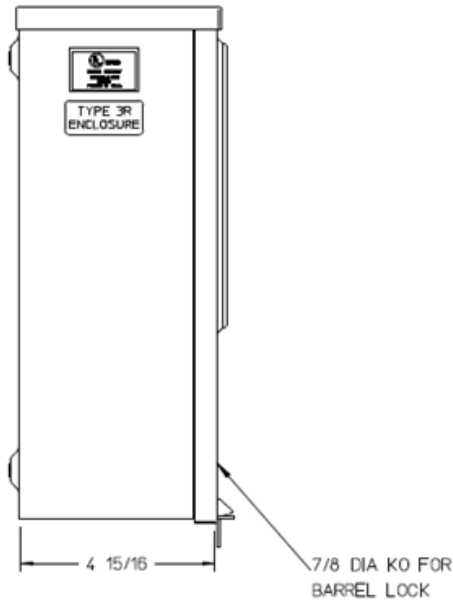
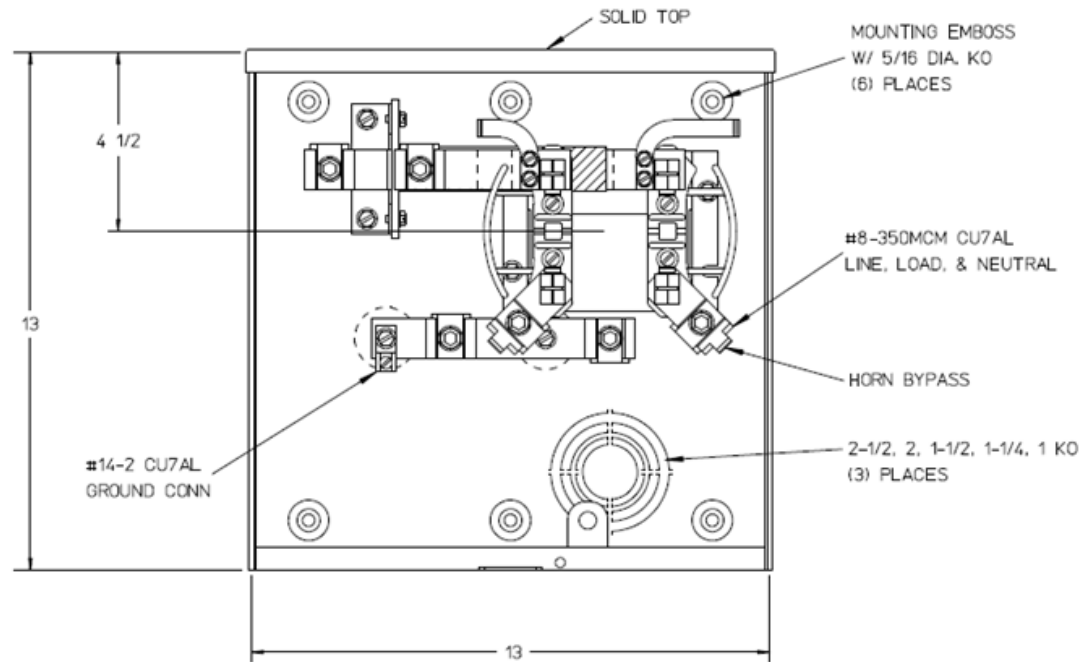


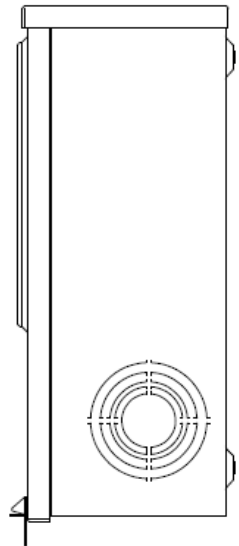
### Left Side View



### Front View Interior



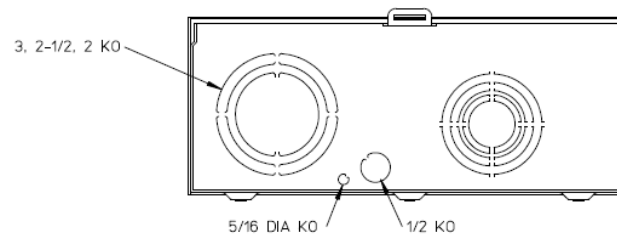
### Right Side View



### Notes

- 1) FINISH: GRAY
- 2) CABINET: 16 GA. GALV. STEEL
- 3) 200 AMP CONTINUOUS  
600 VAC, 1 PHASE, 3-WIRE,
- 4) FOR BROOKS OR INNER-TITE  
STANDARD LENGTH BARREL LOCK  
IN CONJUNCTION WITH BROOKS  
LOCK GUARDS #865 OR #86505  
WITH A PERMANENTLY WELDED  
BRACKET.
- 5) MIDWEST LABEL ATTACHED  
TO THE END OF CARTON,
- 7) MIDWEST LOGO STAMPED  
IN THE LOWER LEFT-HAND CORNER  
OF FRONT.
- 8) TEMPORARY CARDBOARD METER  
OPENING COVER PROVIDED.

### Bottom View



METER SOCKET-(1) 200A 600V 1P3W G90 N3R 4-TERMINAL  
SOLID TOP TPLX GRD HORN BYP AEP BARREL LK BOT FEED

CAT NO	DWG DATE	REV #
UFHTRS223AMEP	04/25/2016	02