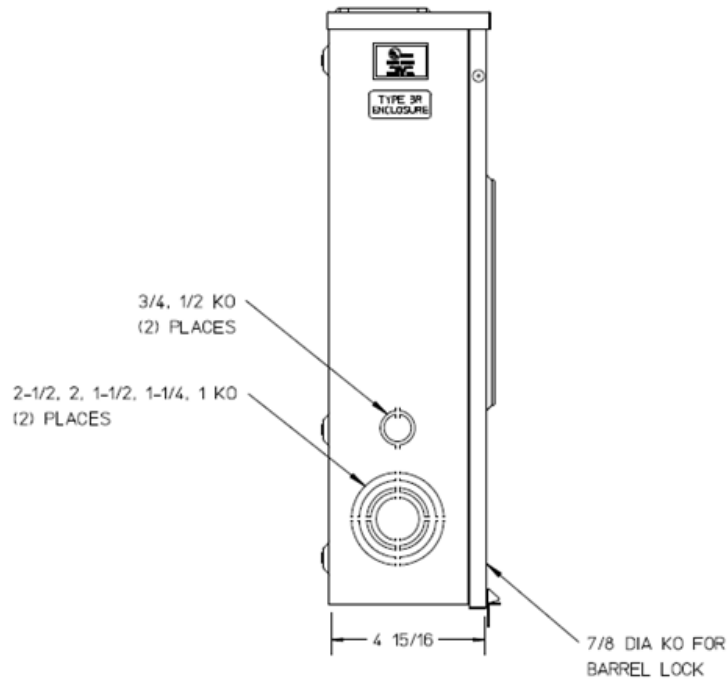
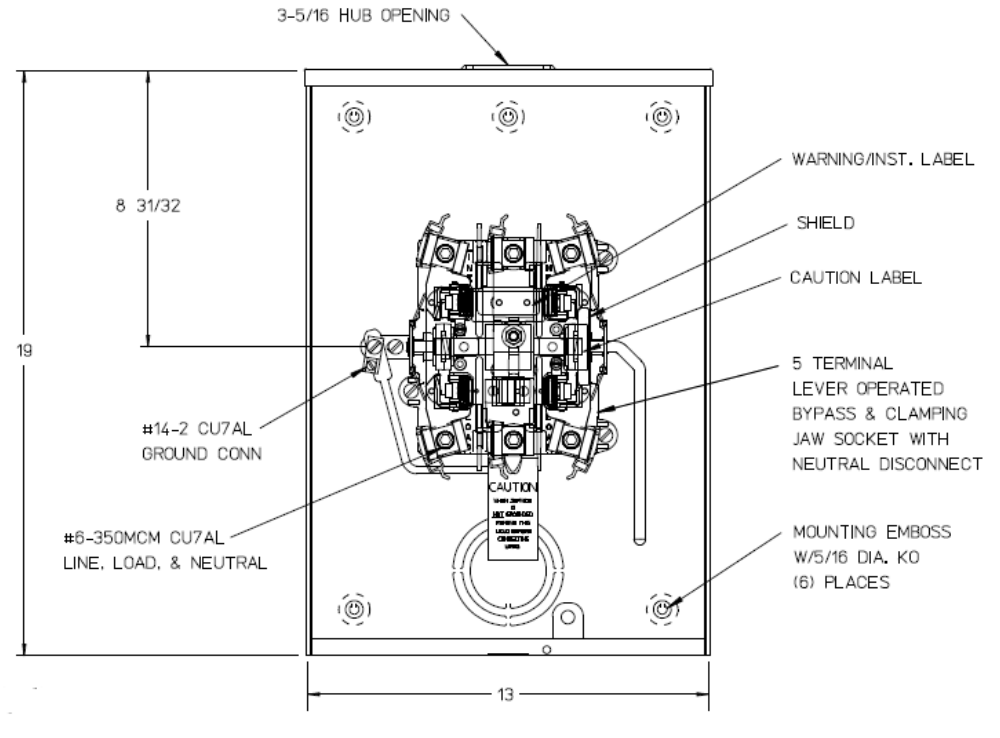


Left Side View



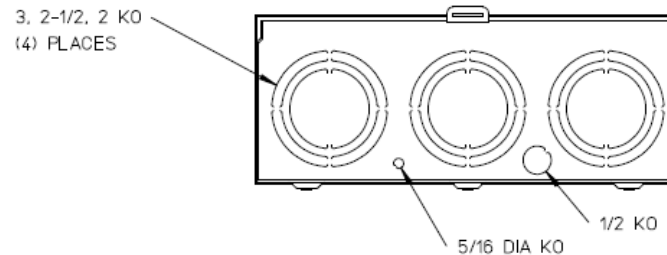
Front View Interior



Notes

- 1) FINISH: GRAY
- 2) CABINET: 16 GA GALV. STEEL
- 3) 200 AMP CONTINUOUS
600 VAC, 3 PHASE, 3-WIRE
1 PHASE, 3-WIRE
NETWORK 3-WIRE
200 AMP BYPASS
- 4) FOR BROOKS OR INTER-TITE STANDARD
LENGTH BARREL LOCK IN CONJUNCTION
WITH BROOKS LOCK GUARDS #865 OR
#86505, WITH PERMANENTLY WELDED
BRACKET.
- 5) MIDWEST LABEL ATTACHED TO THE END
OF CARTON
- 6) TEMPORARY CARDBOARD METER OPENING
COVER PROVIDED.
- 7) MIDWEST LOGO STAMPED IN THE LOWER
LEFT-HAND CORNER OF FRONT.

Bottom View



METER SKT-(1) 200A 600V 1P3W G90 N3R 5-TERMINAL TPLX GRD
SMALL HUB OPNG LEVER BYP AEP BARREL LK TOP/BOT FED

CAT NO	DWG DATE	REV #
UFTH5213BNDMEP	04/25/2016	02