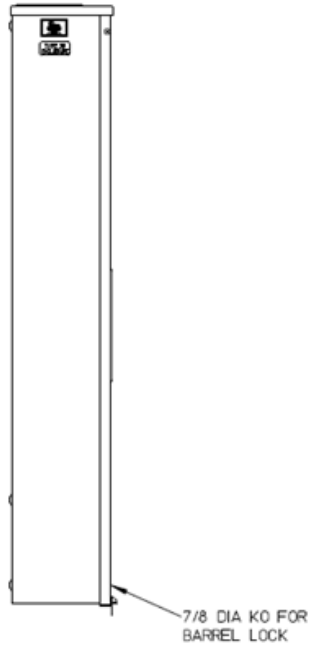
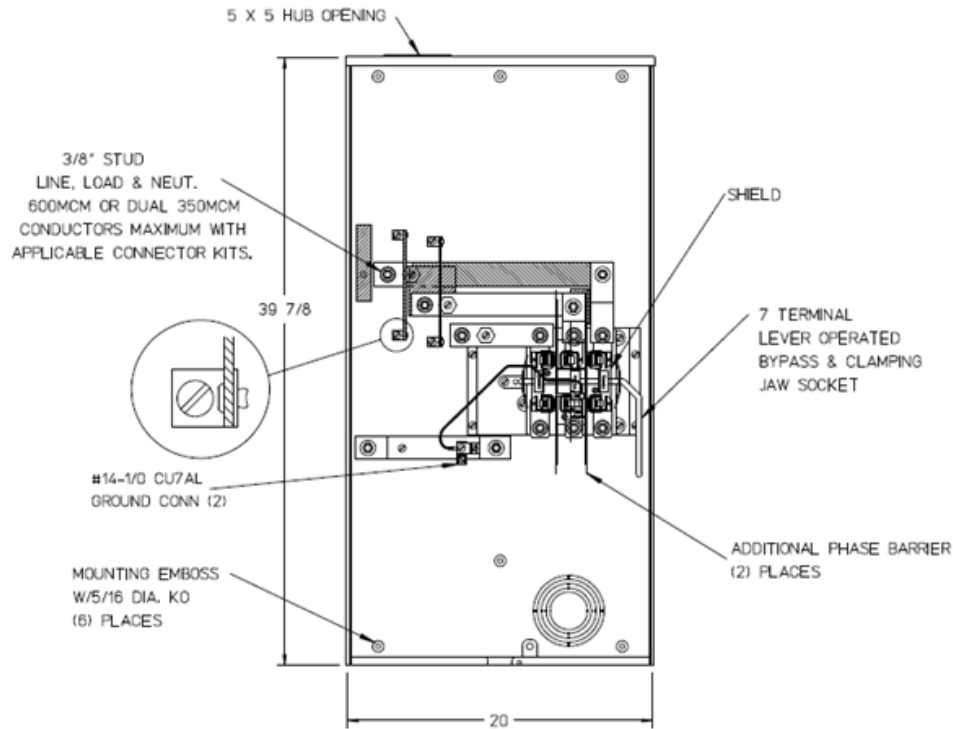


### Left Side View



### Front View Interior



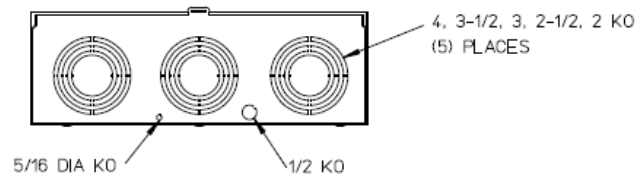
### Right Side View



### Notes

- 1) FINISH: GRAY
- 2) CABINET: BACK IS FABRICATED FROM 14 GA STEEL. TOP, BOTTOM AND FRONT ARE FABRICATED FROM 16 GA GALV STEEL
- 3) 320 AMP CONTINUOUS, 600 VAC, 3 PHASE, 4 WIRE, 320 AMP BYPASS
- 4) FOR BROOKS OR INNER-TITE STANDARD LENGTH BARREL LOCK IN CONJUNCTION WITH A BROOKS LOCK GUARDS # 865 OR # 86505 WITH A PERMANENTLY WELDED BRACKET
- 5) GE LABEL ATTACHED TO THE END OF THE CARTON
- 6) TEMPORARY CARDBOARD METER OPENING COVER PROVIDED
- 7) GE LOGO STAMPED ON LOWER LEFT HAND CORNER OF THE FRONT

### Bottom View



METER SKT-(1) 320A 600V 3P4W G90 N3R 7-TERM LARGE HUB OPNG (2) TPLX GRD LEVER BYP AEP BARREL LK TOP/BOT FEED

CAT NO

DWG DATE

REV #

UFTTH7330TGE

06/22/2016

01