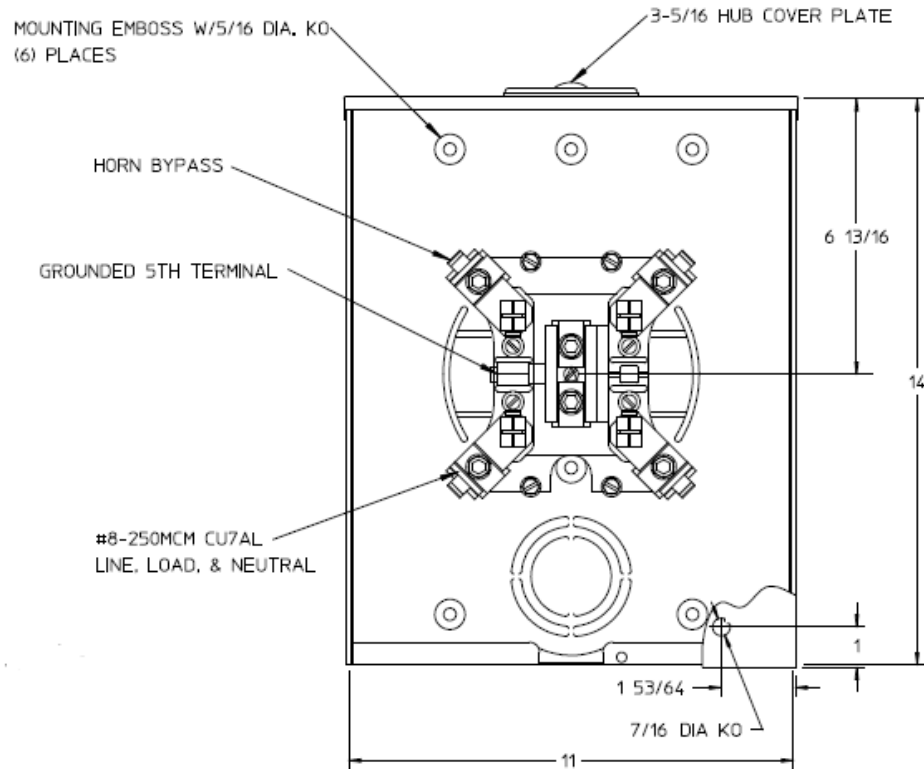
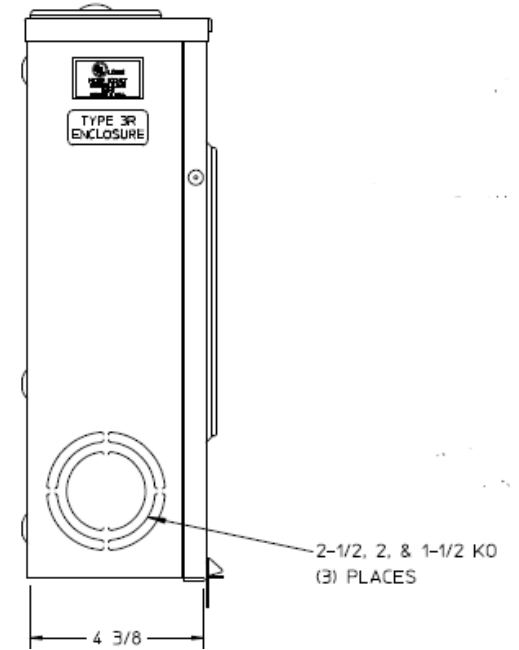


Front View



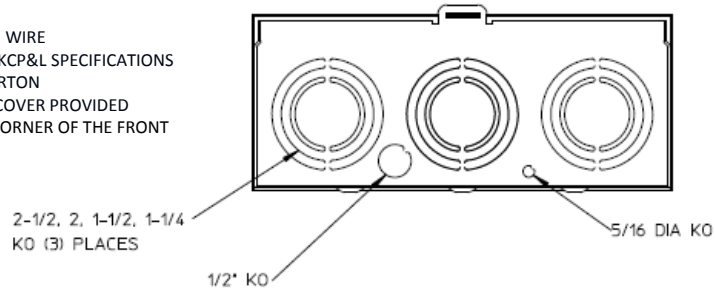
Side View



Notes

- 1) FINISH: GRAY
- 2) CABINET: 16 GA GALV STEEL
- 3) 200 AMP CONTINUOUS, 600 VAC, 1 PHASE, 3 WIRE
- 4) LOCATION OF BARREL LOCK PROVISION PER KCP&L SPECIFICATIONS
- 5) GE LABEL ATTACHED TO THE END OF THE CARTON
- 6) TEMPORARY CARDBOARD METER OPENING COVER PROVIDED
- 7) GE LOGO STAMPED ON LOWER LEFT HAND CORNER OF THE FRONT

Bottom View



METER SKT-(1) 200A 600V 1P3W G90 5-TERM KCP&L N3R
SMALL HUB CVR PLT HORN BYP BARREL LK TOP/BOT FEED

CAT NO	DWG DATE	REV #
UGHRS212CKCGE	02/10/2016	01