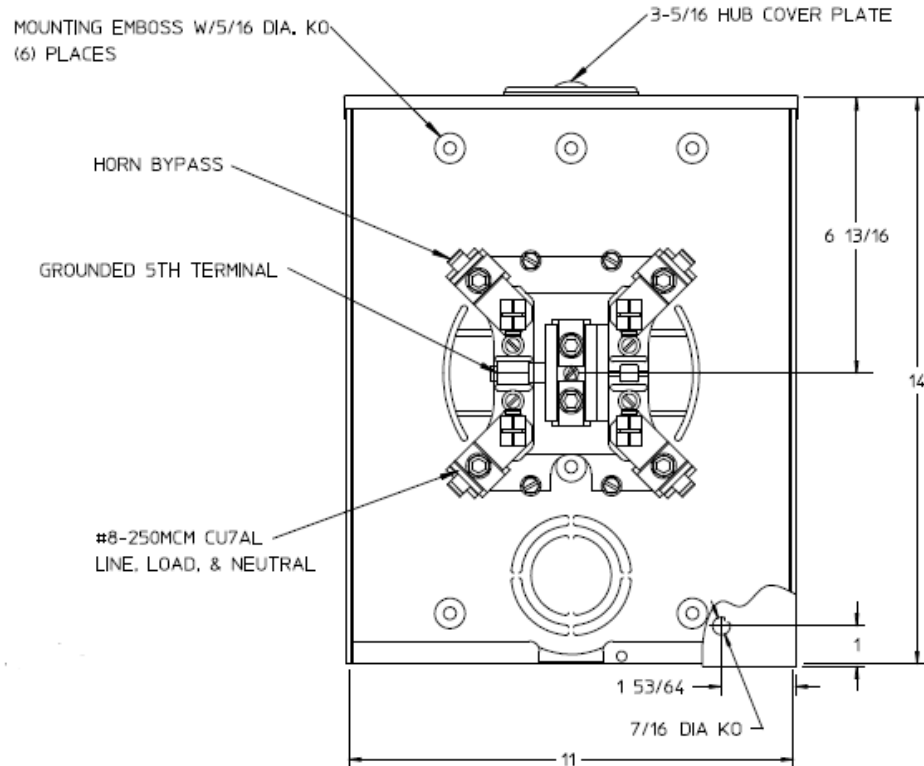
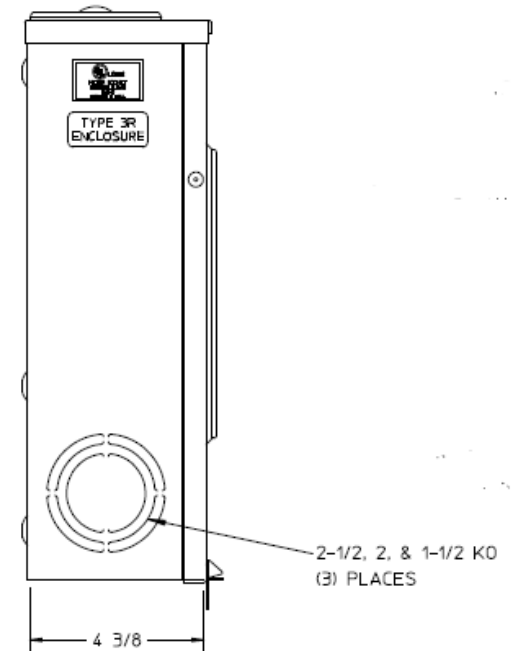


Front View



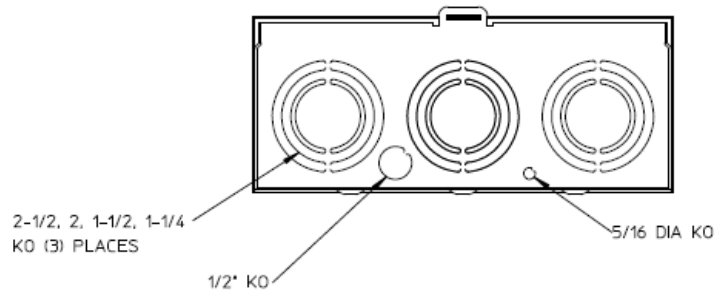
Side View




Notes

- 1) FINISH: GRAY
- 2) CABINET: 16 GA. GALV. STEEL
- 3) 200 AMP CONTINUOUS
600 V.A.C., 1 PHASE, 3 WIRE
- 4) LOCATION OF BARREL LOCK
PROVISION PER KCP&L
SPECIFICATIONS.
- 5) MIDWEST LABEL ATTACHED
TO THE END OF CARTON
- 6) TEMPORARY CARDBOARD METER
OPENING COVER PROVIDED
- 7) MIDWEST LOGO STAMPED ON LOWER
LEFT-HAND CORNER OF FRONT

Bottom View





METER SOCKET--(1) 200A 600V 1P3W G90 5-TERM KCP&L
N3R HUB CVR PLT HORN BYP BARREL LOCK TOP/BOT FEED

CAT NO	DWG DATE	REV #
UGHRS212CKCMEP	02/10/2016	01