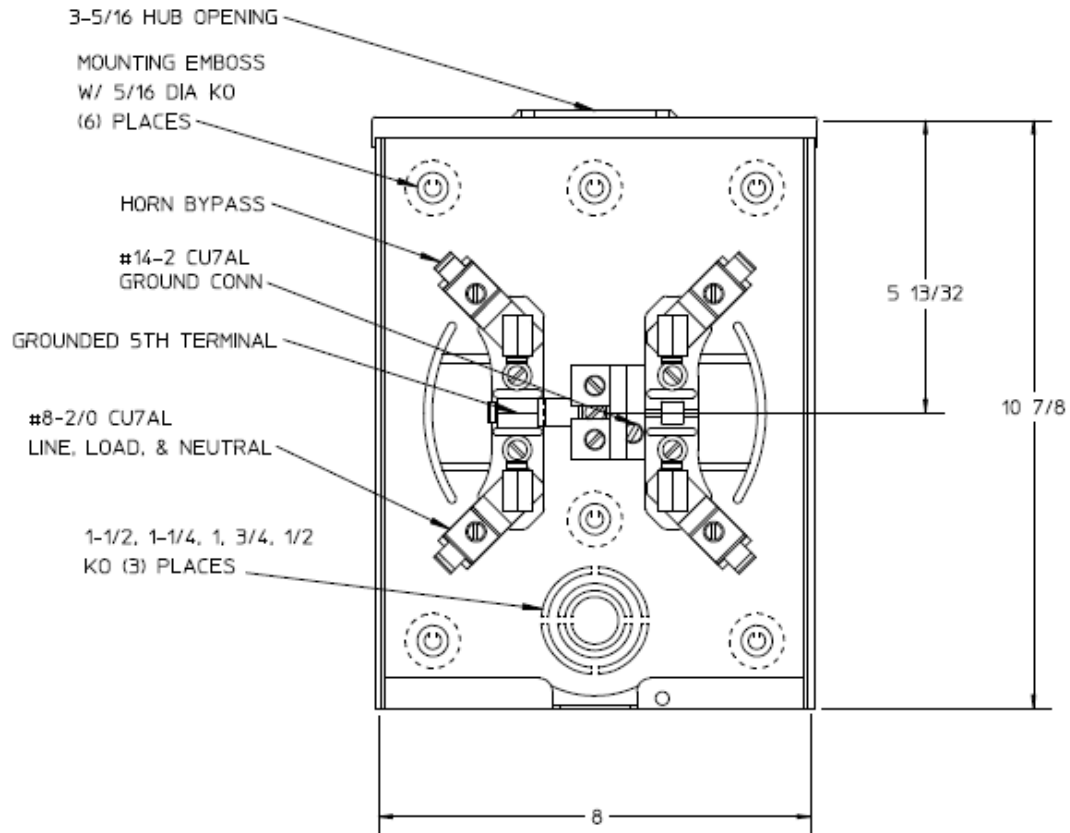
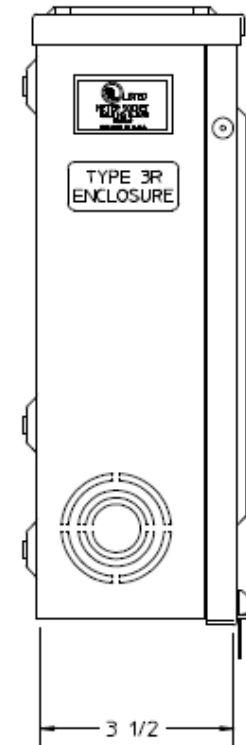


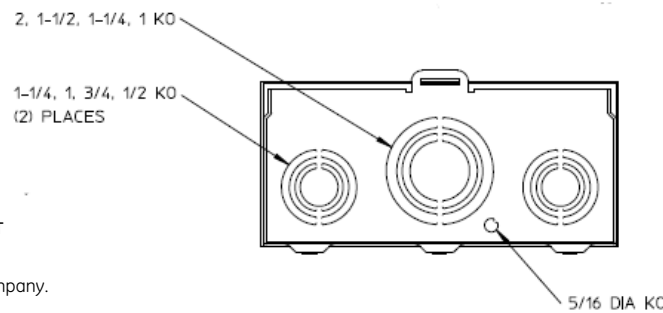
Front View



Side View



Bottom View



Notes

- 1) FINISH: GRAY
- 2) CABINET: 16 GA GALV STEEL
- 3) 125 AMP CONTINUOUS, 600 VAC, 1 PHASE, 3 WIRE
- 4) GE LABEL ATTACHED TO THE END OF THE CARTON
- 5) TEMPORARY CARDBOARD METER OPENING COVER PROVIDED
- 6) GE LOGO STAMPED ON LOWER LEFT HAND CORNER OF THE FRONT

GE is a registered trademark used under license from General Electric company.



METER SOCKET-(1) 125A 600V 1P3W G90 5-TERM N3R
 TPLX GRD SMALL HUB OPN HORN BYP TOP/BOT FEED

CAT NO	DWG DATE	REV #
UGHTRS101BGE	02/10/2016	01