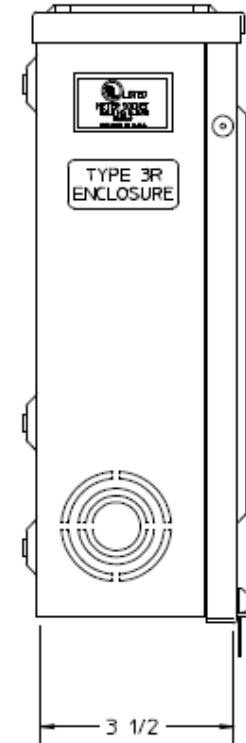
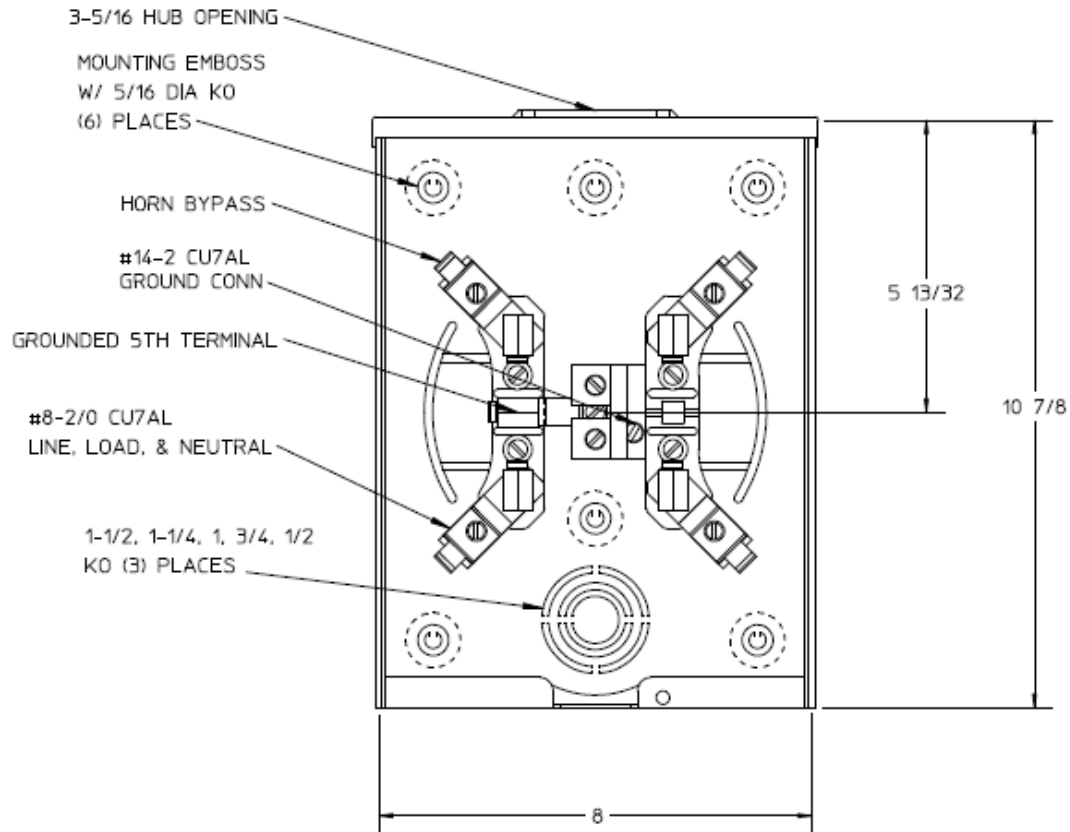
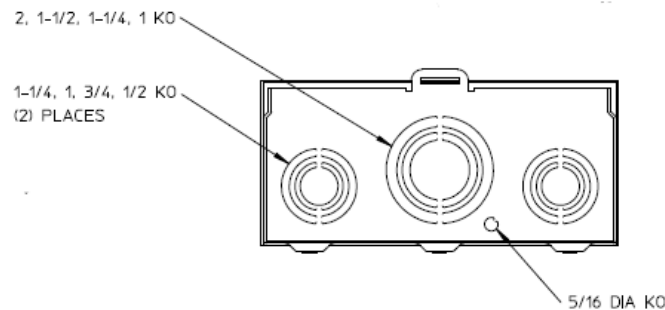


Front View

Side View




Bottom View



Notes

- 1) FINISH: GRAY
- 2) CABINET: 16GA GALV. STEEL
- 3) 125 AMP CONTINUOUS
600 VAC, 1 PHASE, 3 WIRE
- 4) MIDWEST LABEL ATTACHED TO THE END OF THE CARTON.
- 5) TEMPORARY CARDBOARD METER OPENING COVER PROVIDED.
- 6) MIDWEST LOGO LOCATED IN THE LOWER LEFT-HAND CORNER OF THE FRONT.

		
METER SOCKET-(1) 125A 600V 1P3W G90 5-TERM N3R TRIPLEX GRD HUB OPN HORN BYP TOP/BOT FEED		
CAT NO	DWG DATE	REV #
UGHTRS101BMPEP	02/10/2016	01