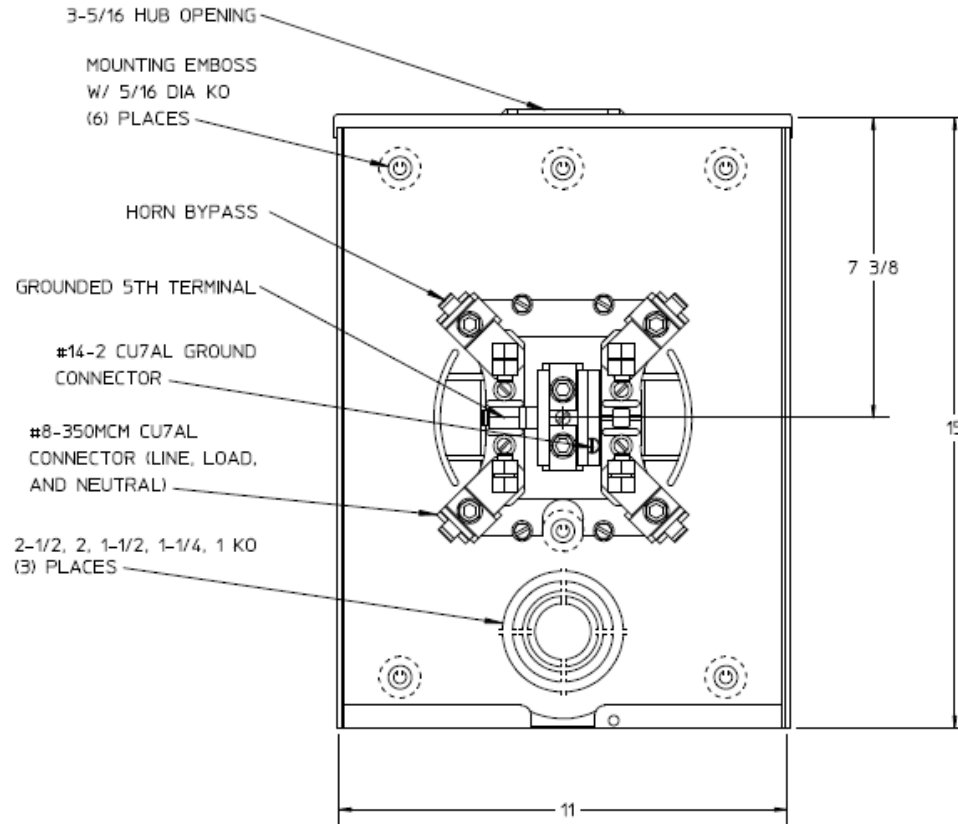
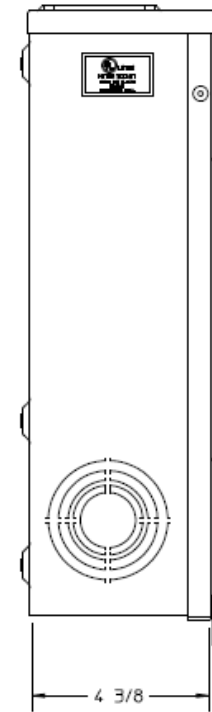


Front View



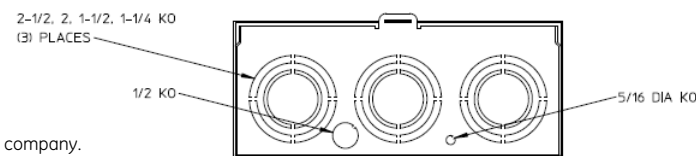
Side View



Notes

- 1) FINISH: GRAY
- 2) CABINET: 16 GA GALV STEEL
- 3) 200 AMP CONTINUOUS, 600 VAC, 1 PHASE, 3 WIRE
- 4) GE LABEL ATTACHED TO THE END OF THE CARTON
- 5) TEMPORARY CARDBOARD METER OPENING COVER PROVIDED
- 6) GE LOGO STAMPED ON LOWER LEFT HAND CORNER OF THE FRONT

Bottom View



METER SKT-(1) 200A 600V 1P3W G90 5-TERM N3R HORN
BYP TRIPLEX GRD SMALL HUB OPN TOP/BOT FEED

CAT NO	DWG DATE	REV #
UGHTRS213BGE	02/10/2016	01