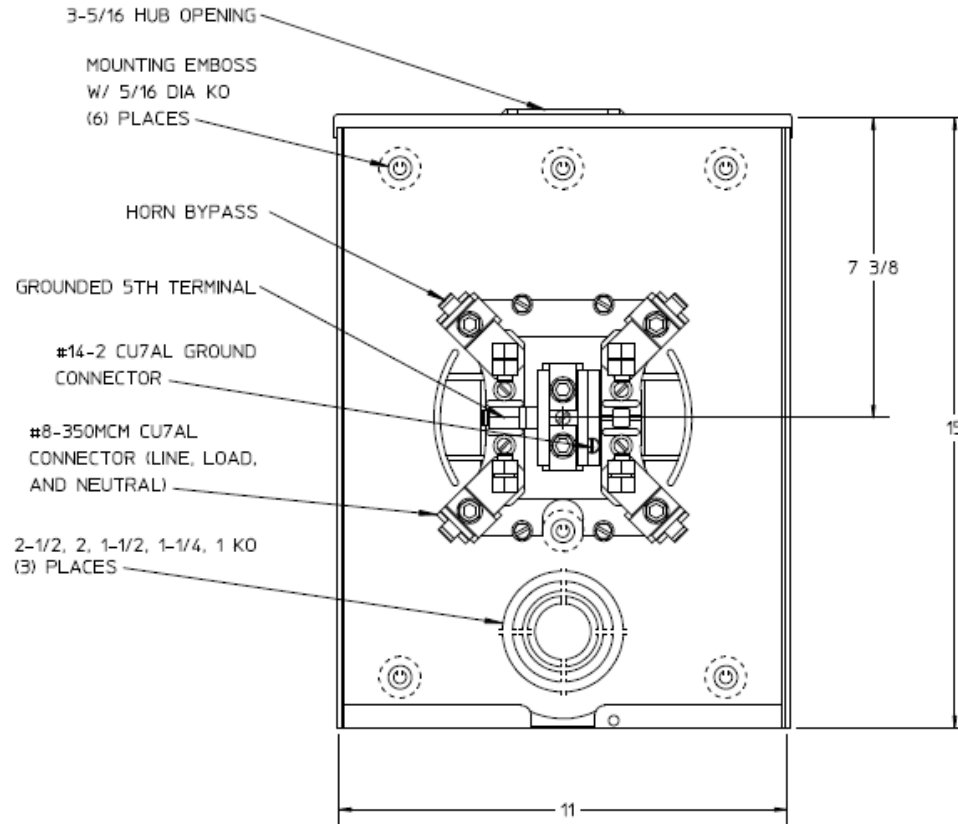
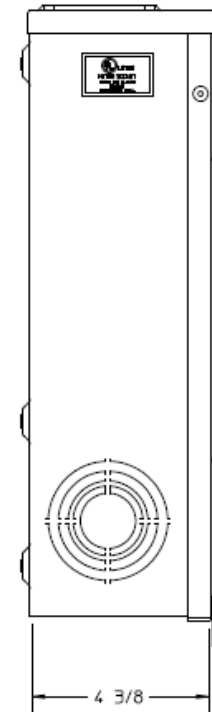


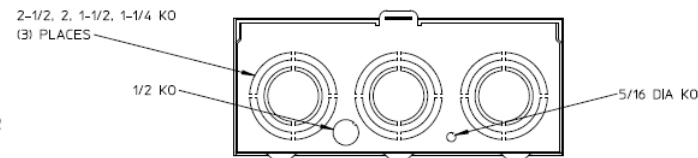
Front View



Side View



Bottom View



Notes

- 1) FINISH: GRAY
- 2) CABINET: 16 GA GALV. STEEL
- 3) 200AMP CONTINUOUS,
600 VAC, 1 PHASE, 3 WIRE
- 4) MIDWEST LABEL ATTACHED TO THE END OF THE CARTON.
- 5) TEMPORARY CARDBOARD METER OPENING COVER PROVIDED.
- 6) MIDWEST LOGO LOCATED IN THE LOWER LEFT-HAND CORNER OF THE FRONT.



METER SOCKET--(1) 200A 600V 1P3W G90 5-TERM N3R
TRIPLEX GRD HUB OPN HORN BYP TOP/BOT FEED

CAT NO	DWG DATE	REV #
UGHTRS213BMEP	02/10/2016	01