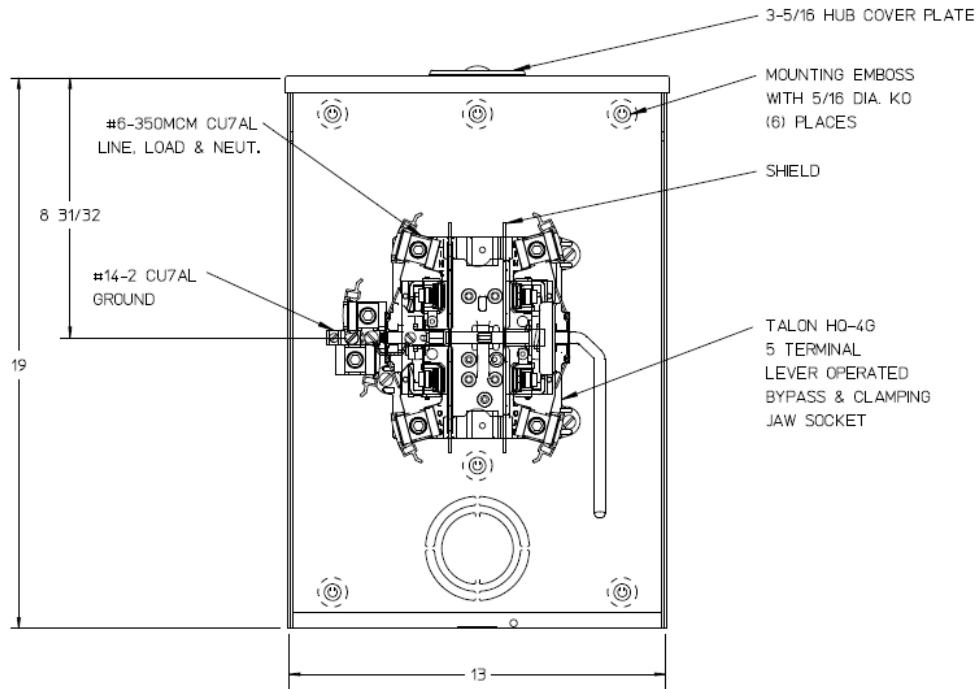
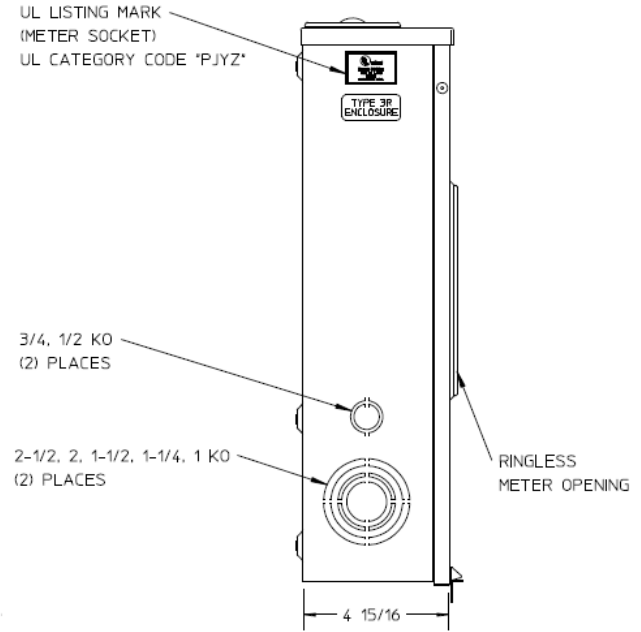


Front View



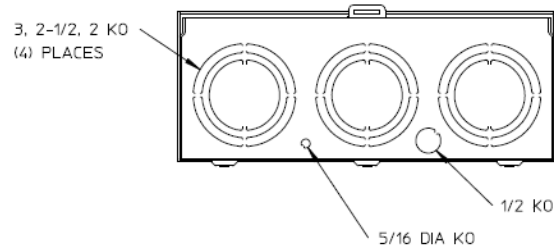
Side View



Notes

- 1) FINISH: GRAY
- 2) CABINET: 16 GA GALV STEEL
- 3) 200 AMP CONTINUOUS, 600 VAC, 1 PHASE, 3 WIRE, 200A BYPASS
- 4) MIDWEST LABEL ATTACHED TO THE END OF THE CARTON
- 5) TEMPORARY CARDBOARD METER OPENING COVER PROVIDED
- 6) MIDWEST SAFETY LABEL ON THE LOWER LEFT HAND CORNER OF THE FRONT
- 7) 5TH TERMINAL IS WIRED DIRECTLY TO THE NEUTRAL WITH #16 AWG MINIMUM CU WIRE

Bottom View



METER SKT-(1) 200A 600V 1P3W G90 5-TERM N3R LEVER BYP TRIPLEX GRD SMALL HUB COVER PLT TOP/BOT FEED

CAT NO	DWG DATE	REV #
UGTH4213CMEP	11/16/2016	01