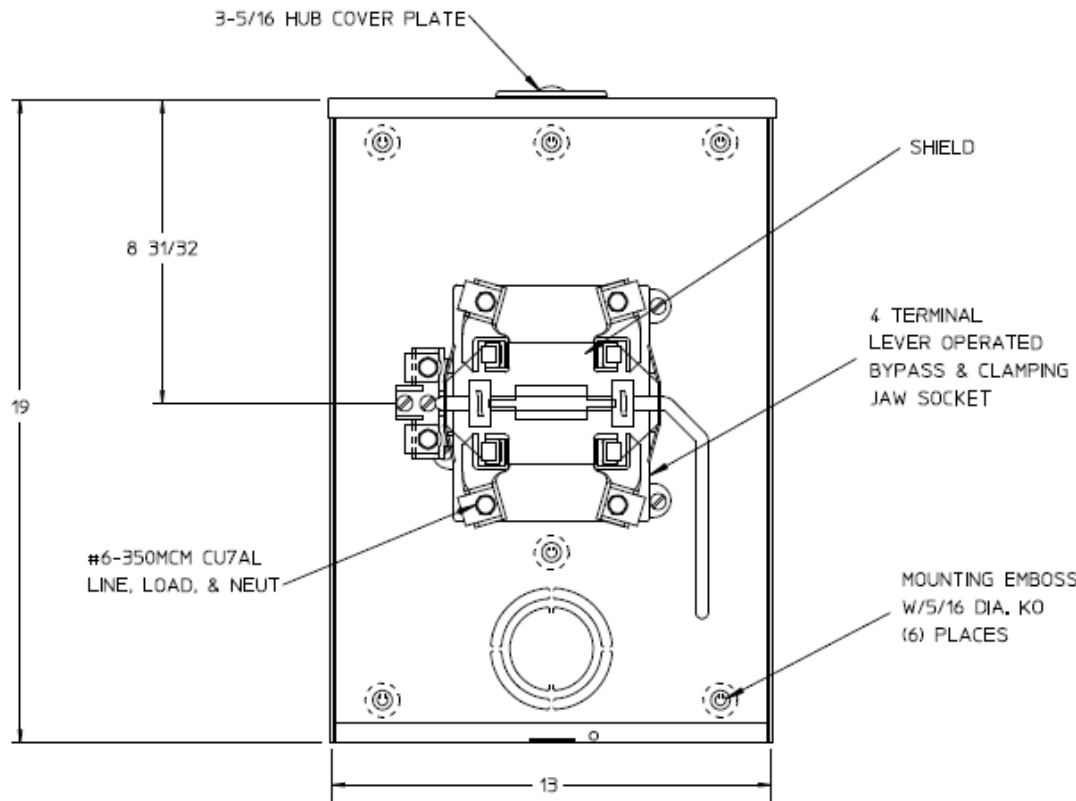
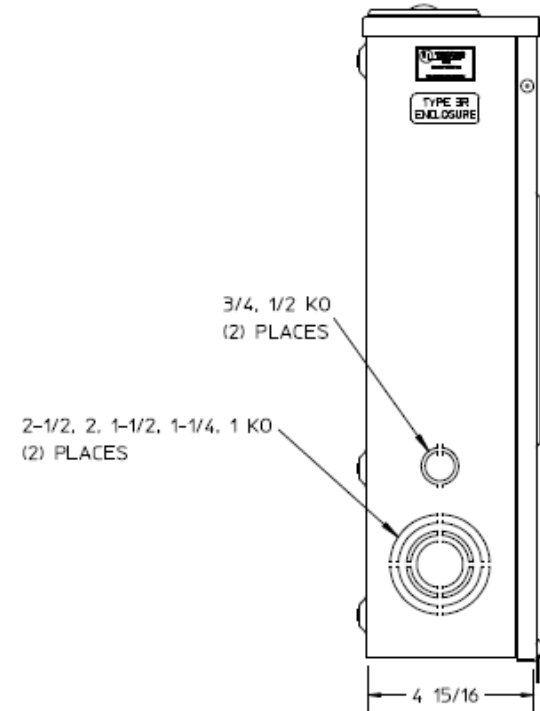


Front View



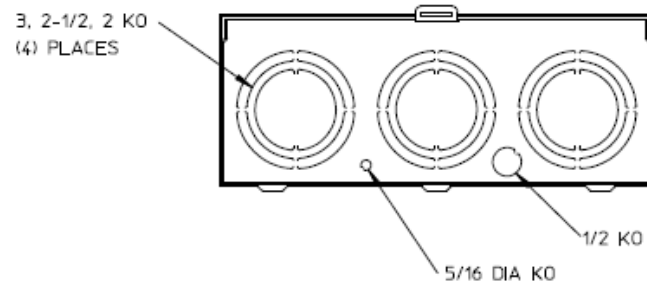
Side View



Notes

- 1) FINISH: GRAY
- 2) CABINET: 16 GA GALV. STEEL
- 3) 200 AMP CONTINUOUS
600 VAC, 1 PHASE, 3 WIRE
200 AMP BYPASS
- 4) TEMPORARY CARDBOARD METER
OPENING COVER SUPPLIED
- 5) MIDWEST LABEL ATTACHED TO THE
END OF THE CARTON
- 6) MIDWEST LOGO LOCATED IN THE LOWER
LEFT-HAND CORNER OF THE FRONT

Bottom View



METER SOCKET-(1) 200A 600V 1P3W G90 4-TERM N3R
HUB COVER PLATE LEVER BYPASS TOP/BOT FEED

| CAT NO | DWG DATE | REV # |
|------------|------------|-------|
| UH4213CMEP | 02/10/2016 | 01 |