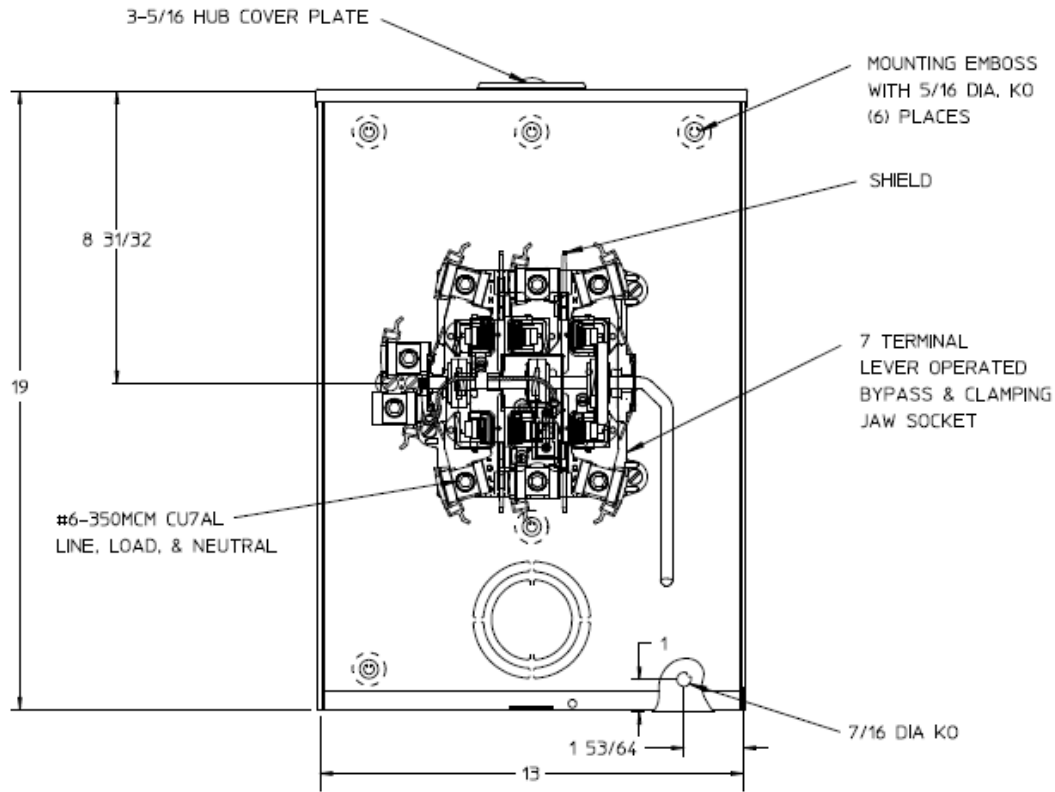
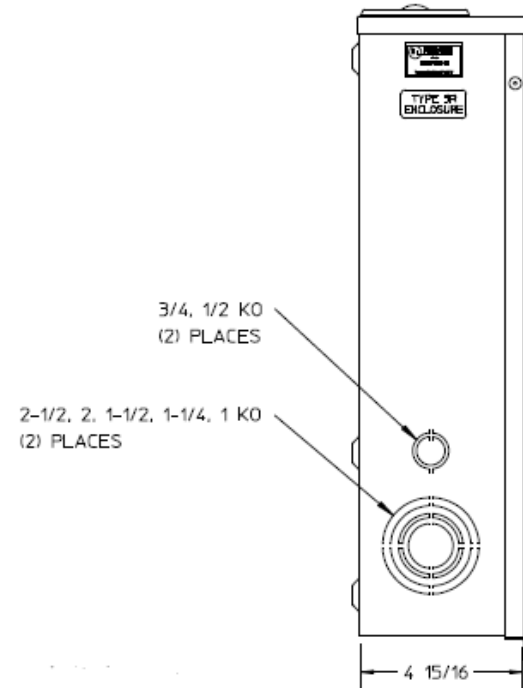


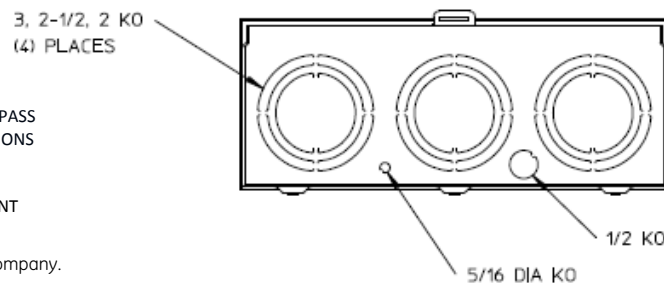
### Front View



### Side View



### Bottom View



### Notes

- 1) FINISH: GRAY
- 2) CABINET: 16 GA GALV STEEL
- 3) 200 AMP CONTINUOUS, 600 VAC, 3 PHASE, 4 WIRE, 200 AMP BYPASS
- 4) LOCATION OF BARREL LOCK PROVISIONS PER KCP&L SPECIFICATIONS
- 5) GE LABEL ATTACHED TO THE END OF THE CARTON
- 6) TEMPORARY CARDBOARD METER OPENING COVER PROVIDED
- 7) GE LOGO STAMPED ON LOWER LEFT HAND CORNER OF THE FRONT

GE is a registered trademark used under license from General Electric company.



MTR SKT-(1) 200A 600V 3P4W G90 7-TERM LVR BYP  
N3R SMALL HUBCVRPL KCP&L BARREL LK TOP/BOT FEED

CAT NO	DWG DATE	REV #
UH7213CKCGE	02/10/2016	01