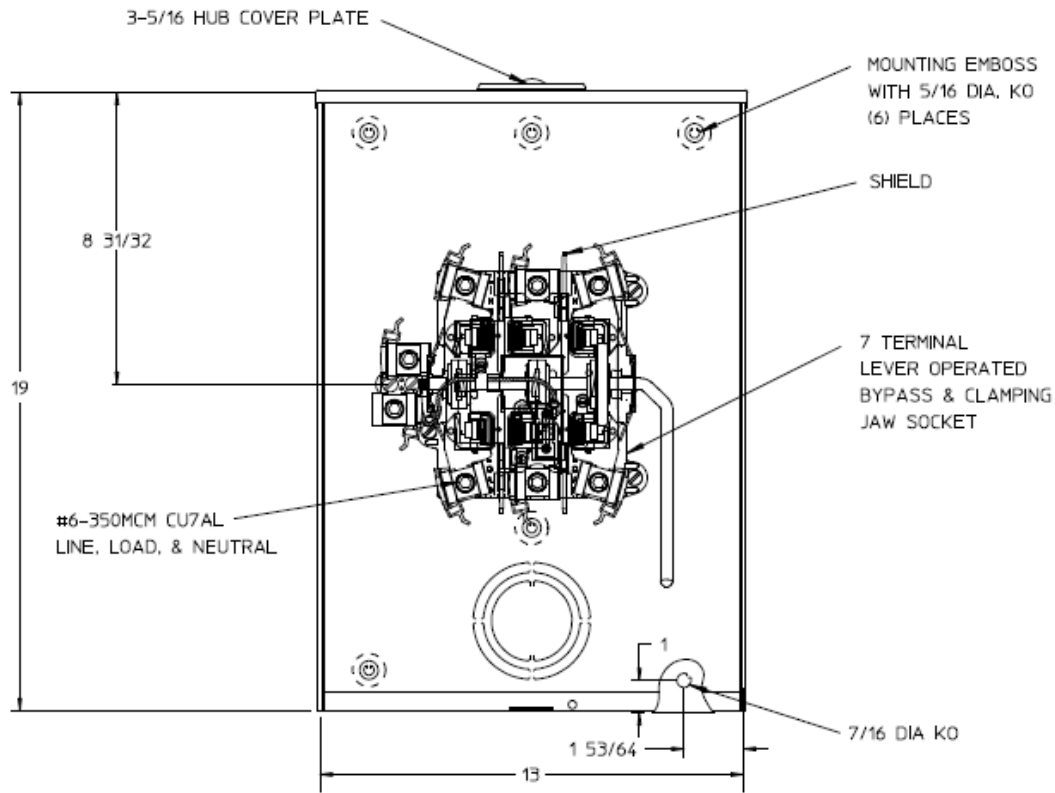
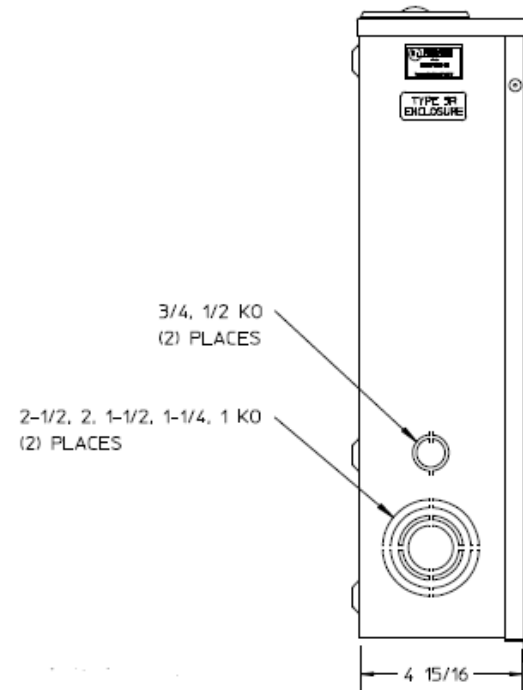


Front View



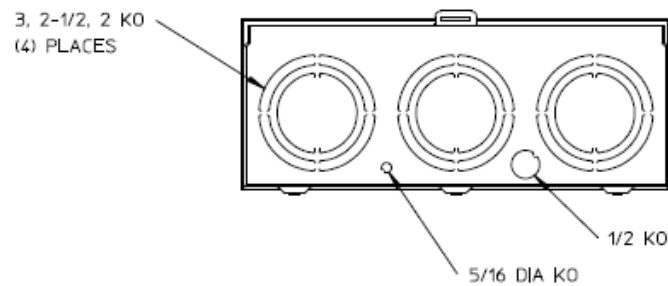
Side View



Notes

- 1) FINISH: GRAY
- 2) CABINET: 16 GA GALV STEEL
- 3) 200 AMP CONTINUOUS
600 VAC, 3 PHASE, 4 WIRE
200 AMP BYPASS
- 4) LOCATION OF BARREL LOCK PROVISIONS PER KCP&L SPECIFICATIONS.
- 5) TEMPORARY CARDBOARD METER OPENING COVER PROVIDED.
- 6) MIDWEST LABEL ATTACHED TO THE END OF THE CARTON.
- 7) MIDWEST LOGO LOCATED IN THE LOWER LEFT-HAND CORNER OF THE FRONT.

Bottom View



MTR SOCKET-(1) 200A 600V 3P4W G90 7-TERM LVR BYP
N3R HUB CVR PL KCP&L BARREL LOCK TOP/BOT FEED

CAT NO	DWG DATE	REV #
UH7213CKCMEP	02/10/2016	01