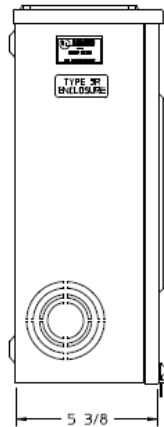
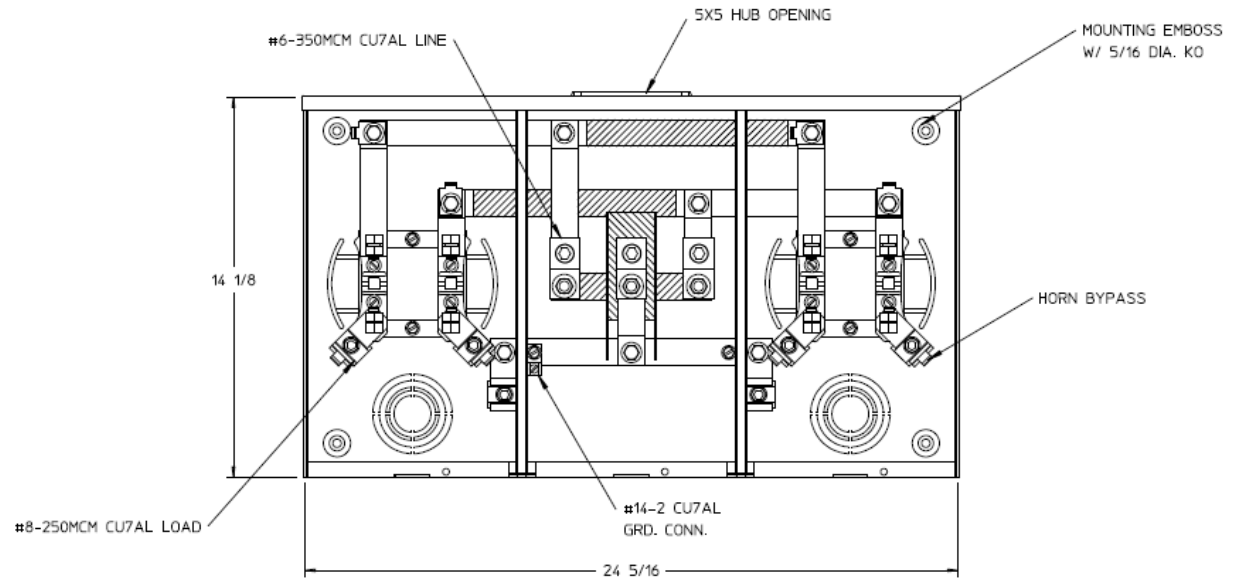


### Left Side View



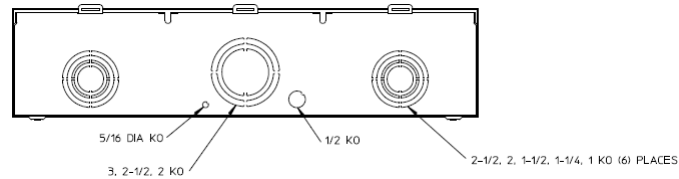
### Front View Interior




### Notes

- 1) FINISH: GRAY
- 2) CABINET: 16 GA GALV. STEEL
- 3) 200 AMP CONTINUOUS  
600VAC, 1 PHASE, 3-WIRE  
250 AMP CONTINUOUS (TOTAL) UNIT RATING
- 4) TEMPORARY CARDBOARD  
METER OPENING COVER PROVIDED
- 5) GE LABEL ATTACHED TO THE END OF THE CARTON
- 6) GE LOGO LOCATED IN THE LOWER LEFT-HAND  
CORNER OF THE FRONT
- 7) CONNECTORS POSITIONED FOR OVERHEAD FEED

### Bottom View



		
HORIZ GANGED METER SKT-(2) 200A 600V 1P3W G90 N3R 4-TERM LARGE HUB OPNG CENTER FEED HORN BYP TRIPLEX GRD		
<b>CAT NO</b>	<b>DWG DATE</b>	<b>REV #</b>
UHT2R2332TGE	04/15/2016	02