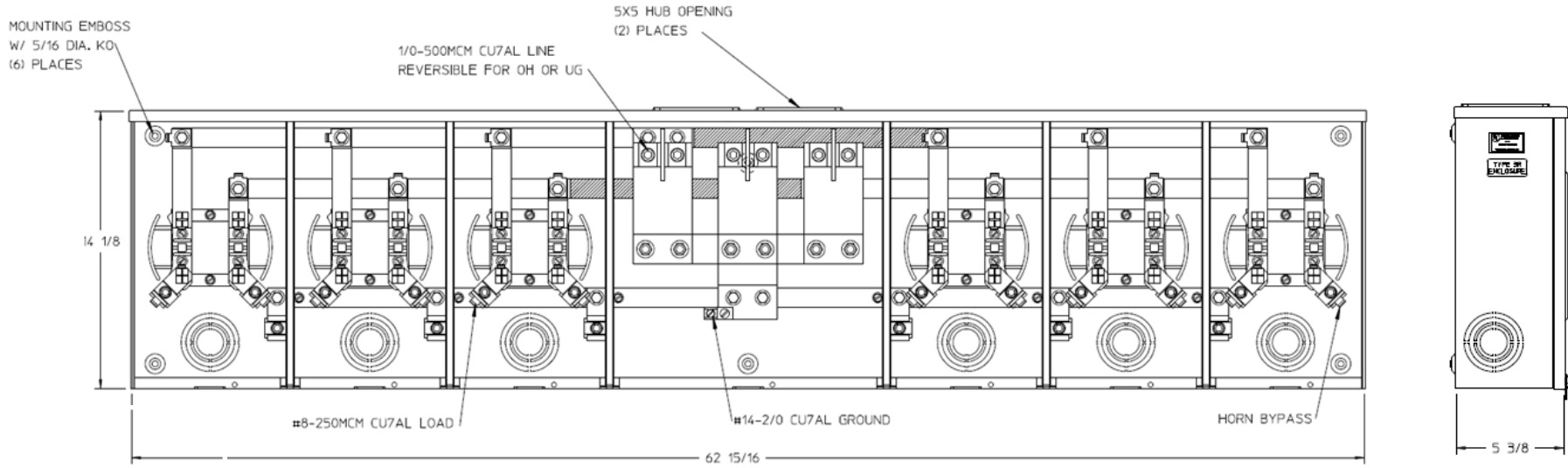
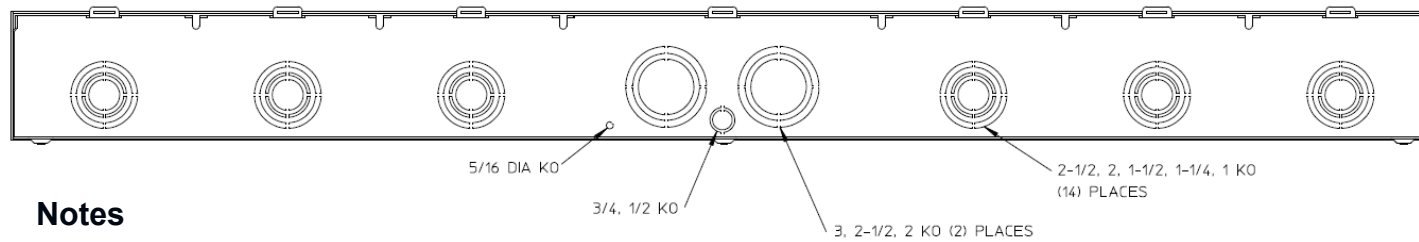


### Front View

### Side View



### Bottom View



### Notes

- 1) FINISH: GRAY
- 2) CABINET: 16 GA GALV. STEEL
- 3) 200 AMP CONTINUOUS PER POSITION  
600VAC, 1 PHASE, 3-WIRE  
620 AMP CONTINUOUS (TOTAL) UNIT RATING
- 4) TEMPORARY CARDBOARD  
METER OPENING COVER PROVIDED
- 5) GE LABEL ATTACHED TO THE END OF THE CARTON
- 6) GE LOGO LOCATED IN THE LOWER LEFT-HAND  
CORNER OF THE FRONT

GE is a registered trademark used under license from General Electric company.



HORIZ GANGED METER SKTS-(6) 200A 600V 1P3W N3R G90 (2)  
LARGE HUB OPNG 4-TRM CTR FED HORN BYP TRIPLEX GRD

CAT NO	DWG DATE	REV #
UHT6R2392TTGE	02/09/2016	01