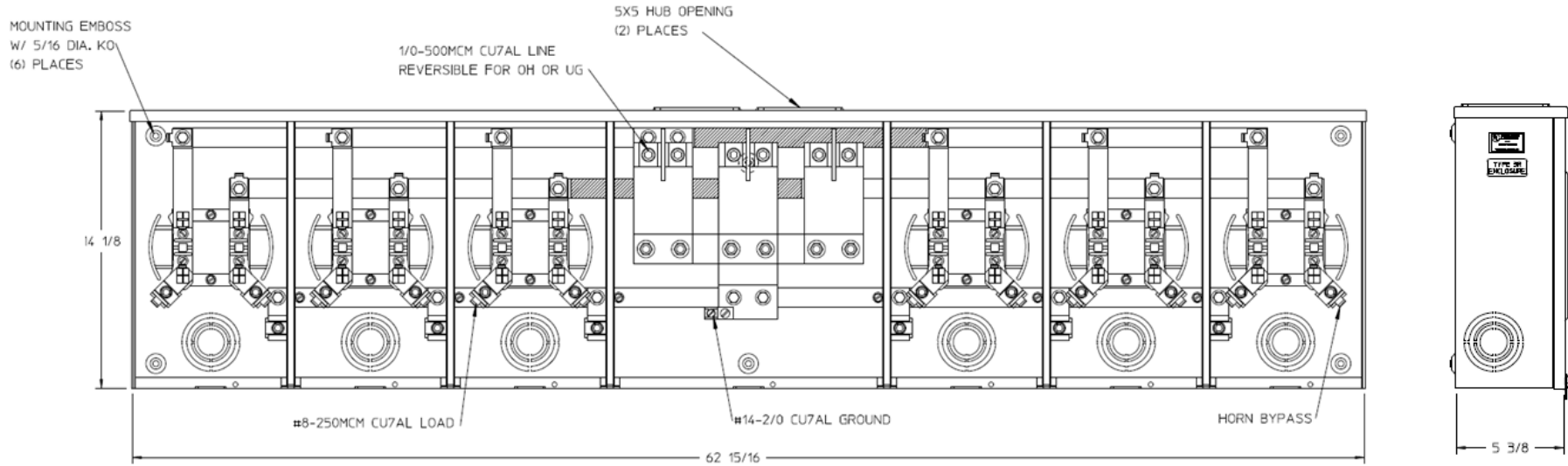
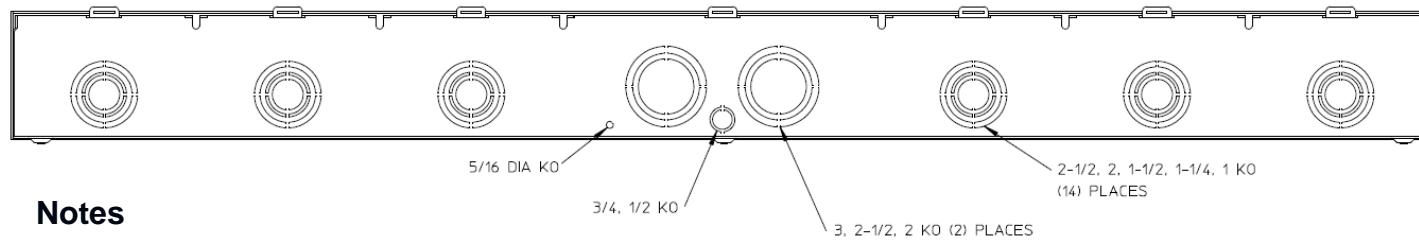


### Front View

### Side View



### Bottom View



### Notes

- 1) FINISH: GRAY
- 2) CABINET: 16 GA GALV STEEL
- 3) 200 AMP CONTINUOUS PER POSITION  
600 VAC, 1 PHASE, 3-WIRE  
620 AMP CONTINUOUS (TOTAL) UNIT RATING
- 4) TEMPORARY CARDBOARD METER OPENING  
COVERS PROVIDED.
- 5) MIDWEST LABEL ATTACHED TO THE END  
OF THE CARTON.
- 6) MIDWEST LOGO LOCATED IN LOWER LEFT  
HAND CORNER OF THE FRONTS.



HORIZ GANGED METER SOCKETS-(6) 200A 600V 1P3W  
N3R (2) HUB OPNG 4-TERM CTR FED HORN BYPASS G90

CAT NO	DWG DATE	REV #
UHT6R2392TTMEP	02/09/2016	01