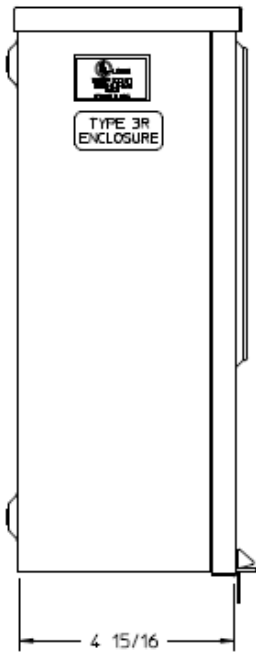
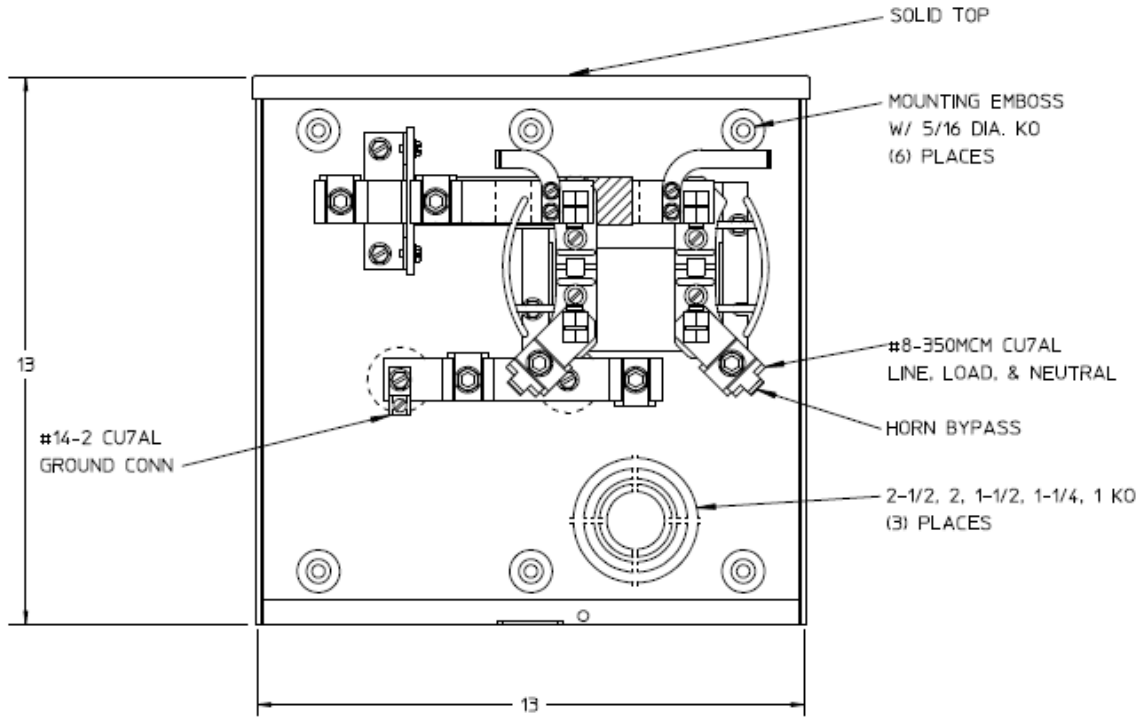


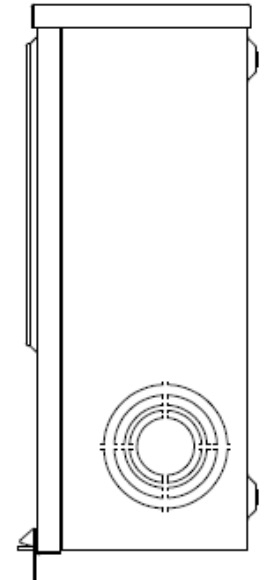
Left Side View



Front View



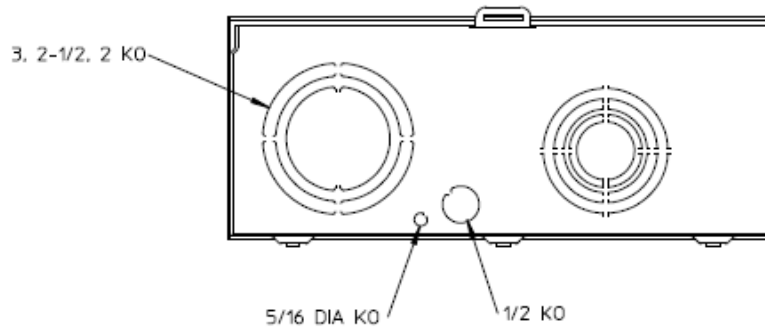
Right Side View



Notes

- 1) FINISH: GRAY
- 2) CABINET: 16 GA. GALV. STEEL
- 3) 200 AMP CONTINUOUS, 600 VAC, 1 PHASE, 3-WIRE
- 4) MIDWEST LABEL ATTACHED TO THE END OF THE CARTON.
- 5) TEMPORARY CARDBOARD METER OPENING COVER PROVIDED
- 6) MIDWEST LOGO LOCATED IN THE LOWER LEFT-HAND CORNER OF THE FRONT

Bottom View



MTR SOCKET-(1) 200A 600V 1P3W G90 4-TERM N3R SOLID TOP HORN BYPASS SIDE WIRED

CAT NO	DWG DATE	REV #
UHTRS223AMEP	02/10/2016	01