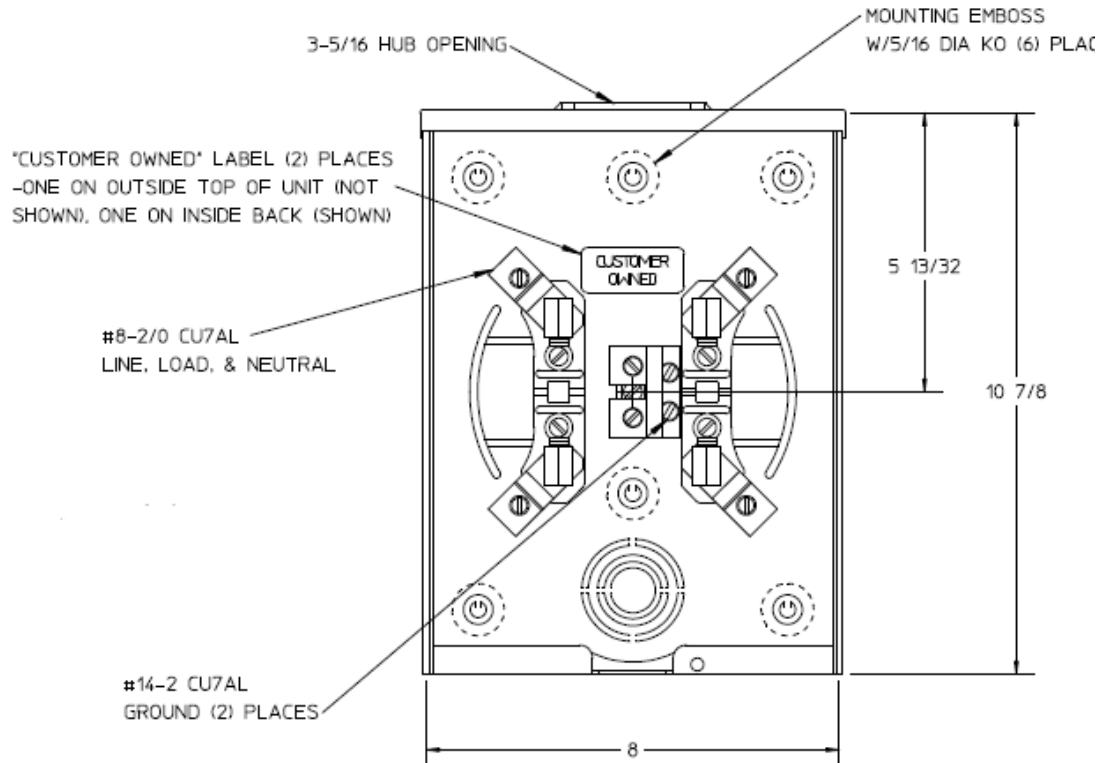
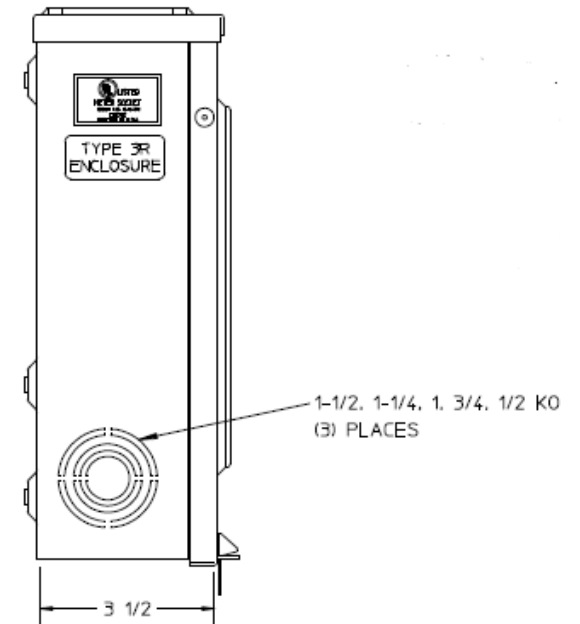


### Front View



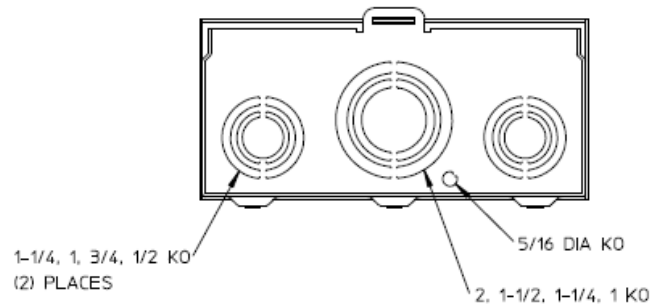
### Side View



### Notes

- 1) FINISH: GRAY
- 2) CABINET: 16 GA GALV. STEEL
- 3) 125 AMP CONTINUOUS, 600 VAC, 1 PHASE, 3 WIRE
- 4) MIDWEST LABEL ATTACHED TO THE END OF CARTON.
- 5) TEMPORARY CARDBOARD METER OPENING COVER PROVIDED.
- 6) MIDWEST LOGO STAMPED ON LOWER LEFT-HAND CORNER OF FRONT
- 7) INHIBITOR APPLIED TO CONNECTORS

### Bottom View



METER SOCKET--(1) 125A 600V 1P3W G90 4-TERM N3R HUB OPENING TOP/BOTTOM FEED

CAT NO	DWG DATE	REV #
URS101BCPLMEP	02/10/2016	01