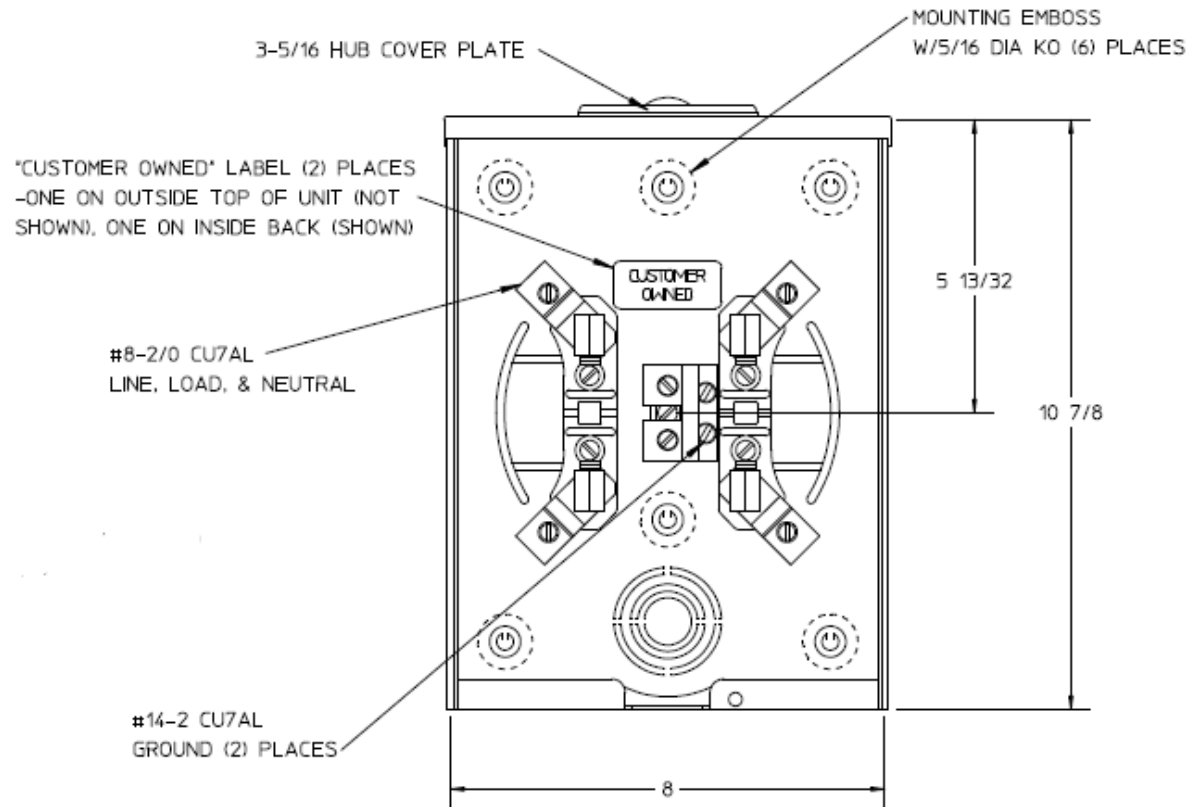
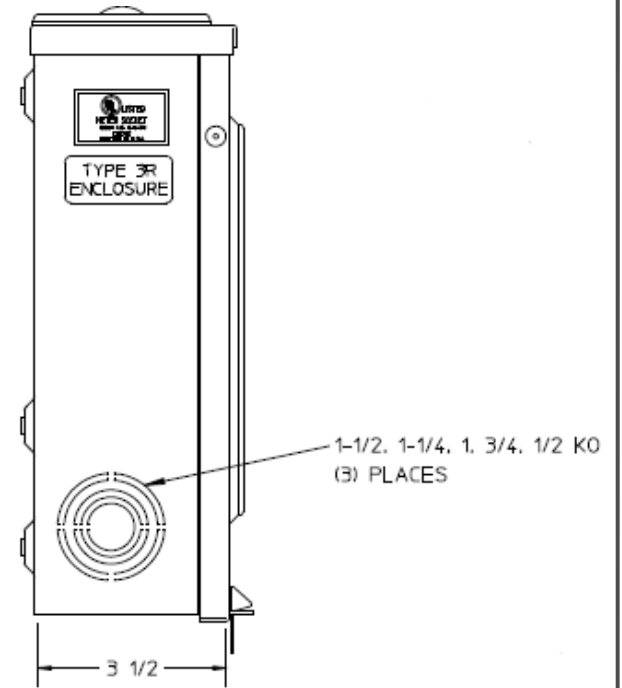


Front View



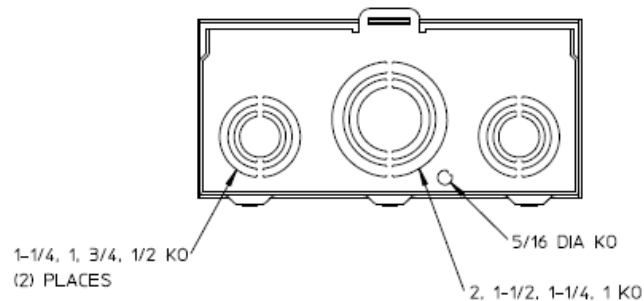
Side View



Notes

- 1) FINISH: GRAY
- 2) CABINET: 16 GA GALV. STEEL
- 3) 125 AMP CONTINUOUS,
600 VAC, 1 PHASE, 3 WIRE
- 4) MIDWEST LABEL ATTACHED
TO THE END OF CARTON.
- 5) TEMPORARY CARDBOARD METER OPENING
COVER PROVIDED.
- 6) MIDWEST LOGO STAMPED ON LOWER
LEFT-HAND CORNER OF FRONT
- 7) INHIBITOR APPLIED TO CONNECTORS

Bottom View



METER SOCKET--(1) 125A 600V 1P3W G90 4-TERM
N3R HUB COVER PLATE TOP/BOTTOM FEED

CAT NO	DWG DATE	REV #
URS101CCPLMEP	02/10/2016	01